



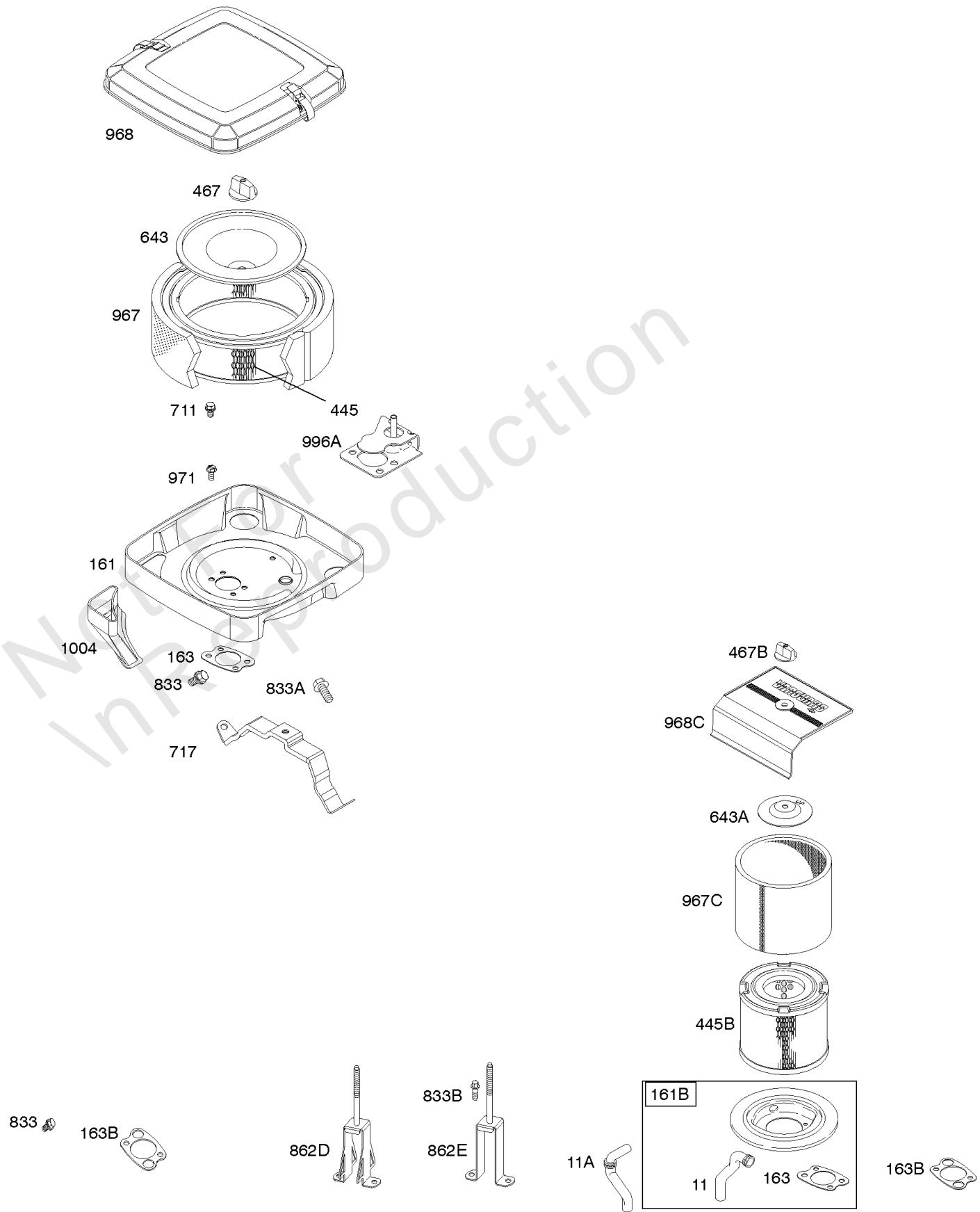
# Parts Manual

Mfg. No: 350442-0132-01



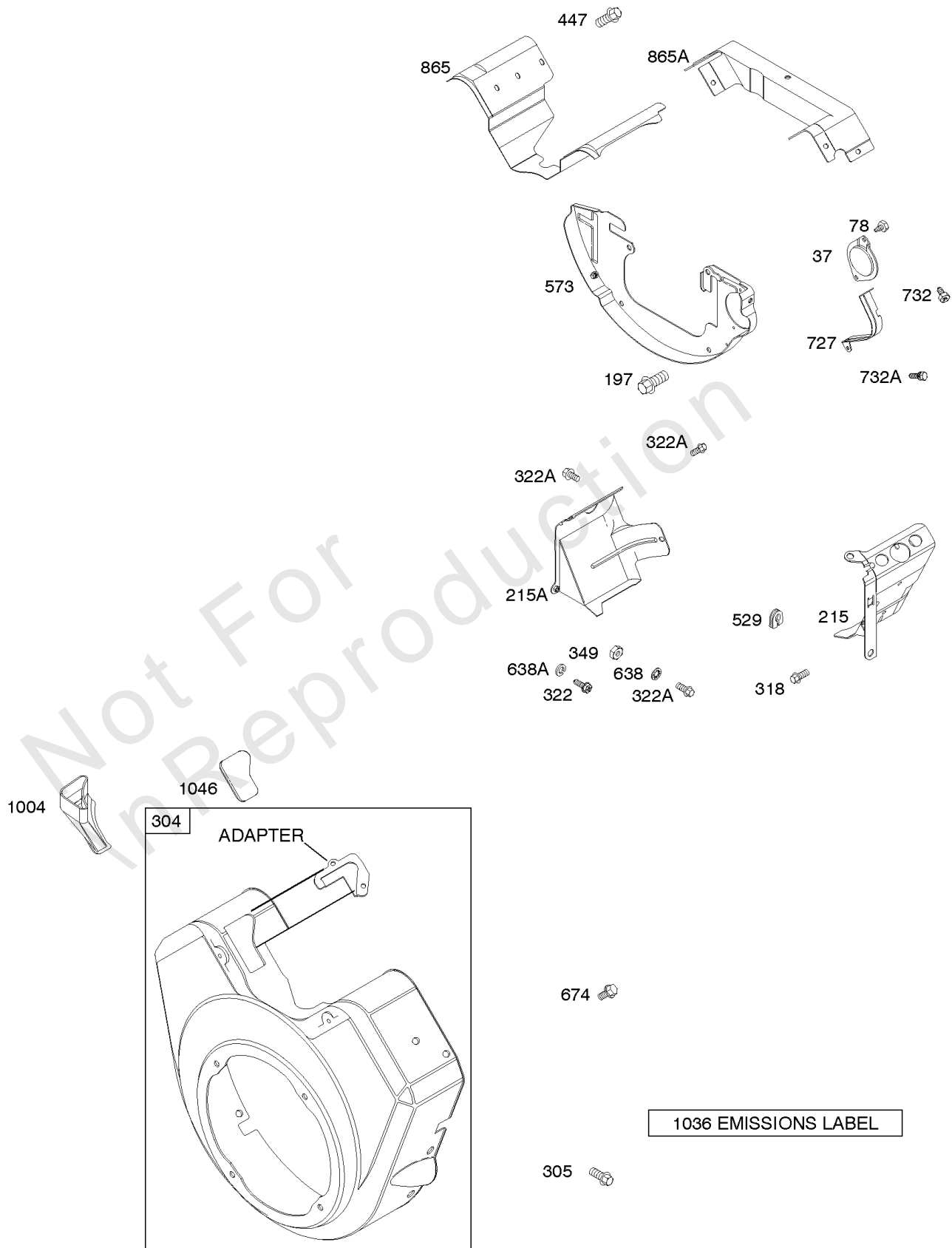
<b>Model Components</b>	<b>Page</b>
Air Cleaner.....	4
Air Guides, Back Plate, Blower Housing.....	6
Alternator, Ignition, Switches.....	8
Carburetor.....	12
Carburetor Over Haul, Engine & Valve Gasket Kits, Engine Gasket Set.....	16
Controls, Governor Spring.....	20
Crankcase Cover/Sump, Intake Manifold.....	24
Crankshaft, Cylinder, Camshaft, Piston/Rings/Connecting Rod.....	26
Cylinder Head.....	30
Electric Starter #1.....	34
Electric Starter #2.....	36
Exhaust System.....	38
Flywheel.....	42
Fuel Supply.....	46
Lubrication.....	50
Replacement Engine.....	52
Rewind Starter.....	53

Not For  
In Reproduction



## Air Cleaner

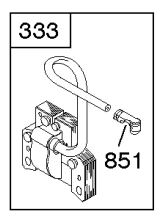
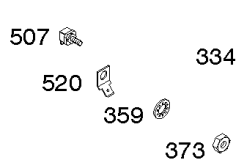
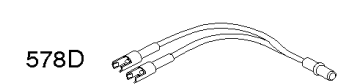
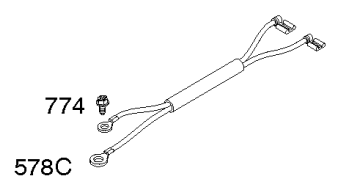
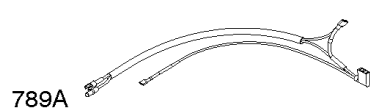
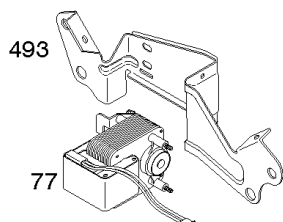
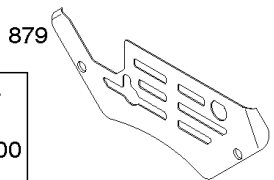
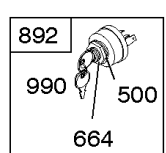
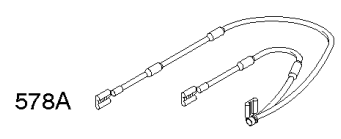
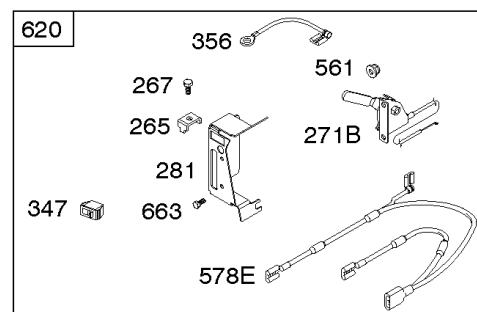
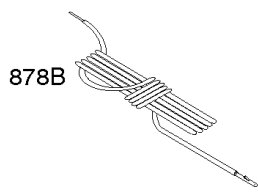
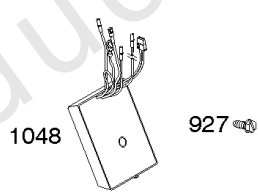
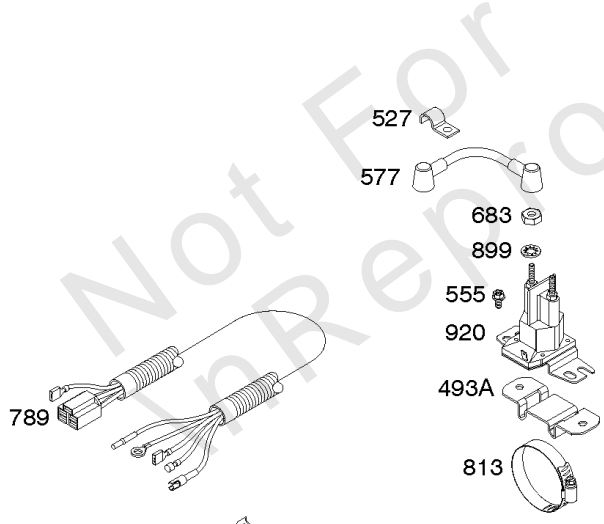
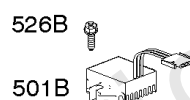
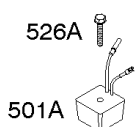
REF NO	PART NO	QTY	DESCRIPTION
11	691556		TUBE, Breather
11A	806083S		TUBE, Breather
161	691561		BASE, Air Cleaner -(Metal)
161B	808414		BASE, Air Cleaner -(Metal)
163	692081		GASKET, Air Cleaner -(Air Cleaner)
163B	692052		GASKET, Air Cleaner -(Air Cleaner)
445	394018S		FILTER, A/C Cartridge
445B	393957S		FILTER, A/C Cartridge
467	691985		KNOB, Air Cleaner Cover
467B	691668		KNOB, Air Cleaner Cover
643	692079		RETAINER, Air Filter
643A	690447		RETAINER, Air Filter
711	841233		SCREW -(Carburetor Shield)
717	692153		BRACKET, Air Cleaner
833	841233		SCREW -(Air Cleaner Mounting Strap/Stud)
833A	807084		SCREW -(Air Cleaner Mounting Strap/Stud)
833B	691593		SCREW -(Air Cleaner Mounting Strap/Stud)
862D	691565		STRAP/STUD, Air Cleaner Mounting
862E	492133		STRAP/STUD, Air Cleaner Mounting
967	272490S		FILTER, Pre Cleaner
967C	271794S		FILTER, Pre Cleaner
968	699959		COVER, Air Cleaner -(With Clips)
968C	691910		COVER, Air Cleaner
971	807084		SCREW -(Air Cleaner Base to Carburetor)
996A	691577		SHIELD, Carburetor
1004	690743		DUCT, Air -Used After Code Date 00121200



## Air Guides, Back Plate, Blower Housing

REF NO	PART NO	QTY	DESCRIPTION
37	841309		GUARD, Flywheel
78	690688		SCREW -(Flywheel Guard)
197	807163		SCREW -(Back Plate)
215	841183		COVER, Cylinder Head -(Cylinder 1) (Non-Ducted)
215A	841182		COVER, Cylinder Head -(Cylinder 2) (Non-Ducted)
304	-----		Housing-Blower -(NO LONGER AVAILABLE)
304	690930		HOUSING, Blower -(Red)
305	692056		SCREW -(Blower Housing) (14mm)
305	841233		SCREW -(Blower Housing)
318	690932		SCREW -(Mounting Bracket)
322	841233		SCREW -(Cylinder Head Cover)
322A	692067		SCREW -(Cylinder Head Cover)
349	690238		NUT -(Cylinder Head Cover)
447	841233		SCREW -(Air Guide Cover)
529	690744		GROMMET
573	841310		PLATE, Back
638A	690706		WASHER -(Cylinder Head Cover) (Spring Lockwasher)(Head Cover)
674	692056		SCREW -(Fuel Tank Bracket) (M8 X 14)
727	841313		COVER, Starter Drive
732	690688		SCREW -(Starter Drive Cover)
732A	841233		SCREW -(Starter Drive Cover)
865	843768		COVER, Air Guide -(Black)
865A	841319		COVER, Air Guide -(Aluminum)
1004	690743		DUCT, Air -Used After Code Date 00121200
1036	-----		Label-Emissions -(Available From A Briggs & Stratton Authorized Dealer)
1046	692082		PLUG, Blower Housing

DUAL CIRCUIT		5 - 9 AMP		10 - 16 AMP		20 AMP		20 AMP POWER LINK	
474B	1059	474C	1059	474D	1059	474E	1059	474F	

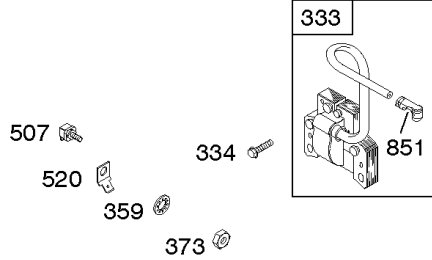
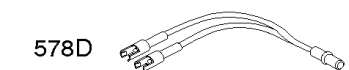
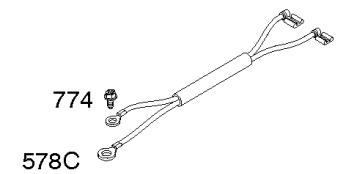
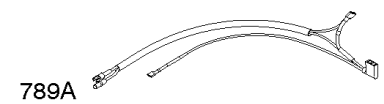
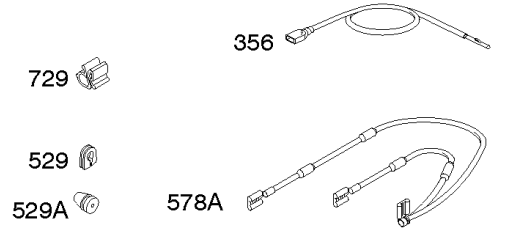
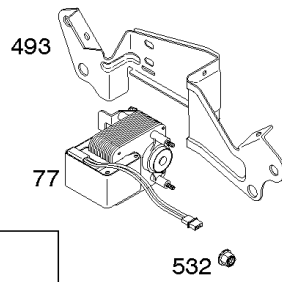
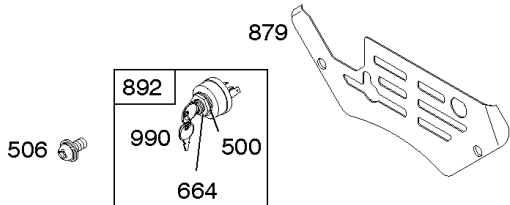
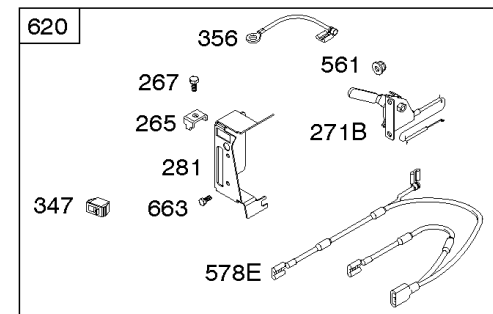
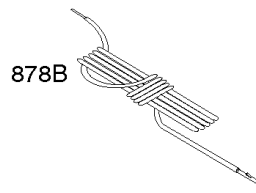
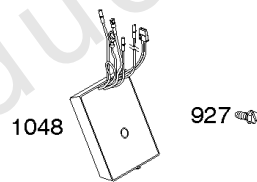
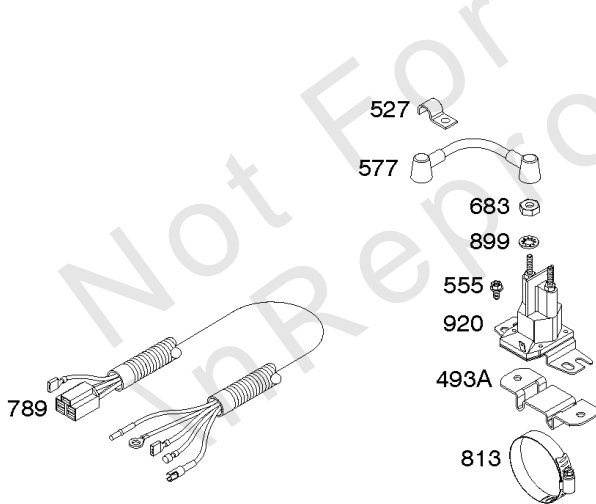
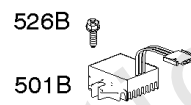
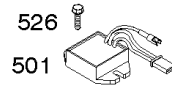
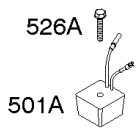




## Alternator, Ignition, Switches

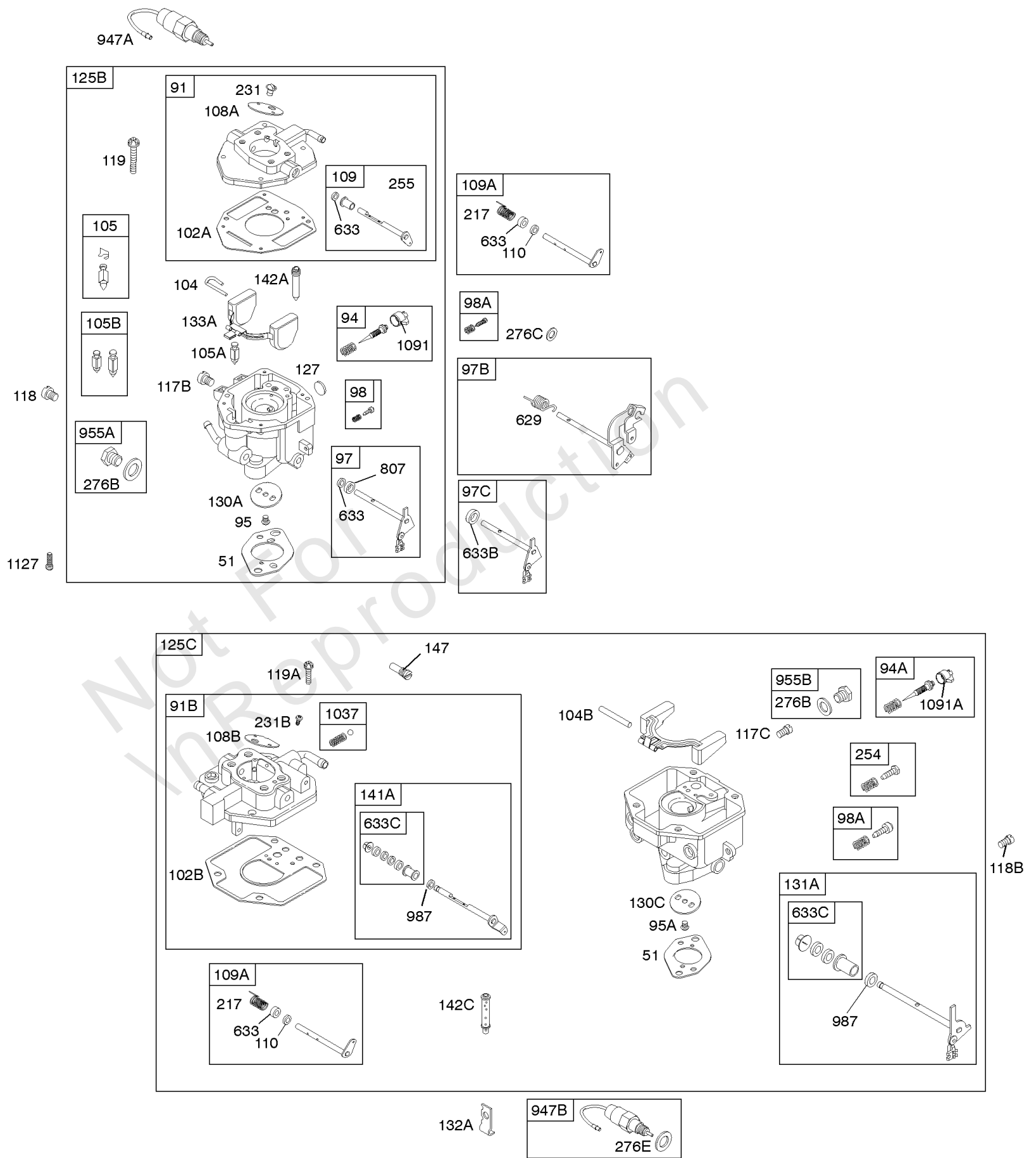
REF NO	PART NO	QTY	DESCRIPTION
5	809185		HEAD, Cylinder -(Cylinder 1)
10	690751		SCREW -(Breather Assembly)
20	805049S		SEAL, Oil -(PTO Side)
77	690819		MOTOR, Servo
239	491657S		SWITCH, Oil Pressure -(Normally Closed)
239	690233		SWITCH, Oil Pressure -(Lower Pressure to Open)
265	691024		CLAMP, Casing
267	692083		SCREW -(Casing Clamp)
271B	691028		LEVER, Control
281	690742		PANEL, Control
333	492341		ARMATURE, Magneto
334	692066		SCREW -(Magneto Armature)
347	691995		SWITCH, Rocker
356	690796		WIRE, Stop
359	691077		WASHER -(Ground Terminal)
373	691612		NUT -(Ground Terminal)
474D	696458		ALTERNATOR -(10 and 16 Amp Regulated)
493	691518		BRACKET, Mounting
493A	691177		BRACKET, Mounting -(Solenoid)
500	691086		WASHER -(Key Switch)
501	845907		REGULATOR -(10-16 Amp Regulated)
506	690677		SCREW -(Carburetor Cover)
507	691972		INSULATOR
520	691084		TERMINAL, Ground
526	692067		SCREW -(Regulator) (10-16 Amp Regulated)
526A	690717		SCREW -(Regulator) (5/9 Amp. Regulated)
526B	691547		SCREW -(Regulator) (20 Amp)
527	690423		CLAMP, Tube
529	690744		GROMMET
529A	805783		GROMMET -(Breather Extension)
529A	691527		GROMMET
532	691115		NUT -(Mounting Bracket)
555	692067		SCREW -(Starter Solenoid)
561	690713		NUT -(Control Lever)
577	690795		CABLE, Starter
578	692306		WIRE ASSEMBLY

DUAL CIRCUIT		5 - 9 AMP		10 - 16 AMP		20 AMP		20 AMP POWER LINK	
474B	1059	474C	1059	474D	1059	474E	1059	474F	
									1119



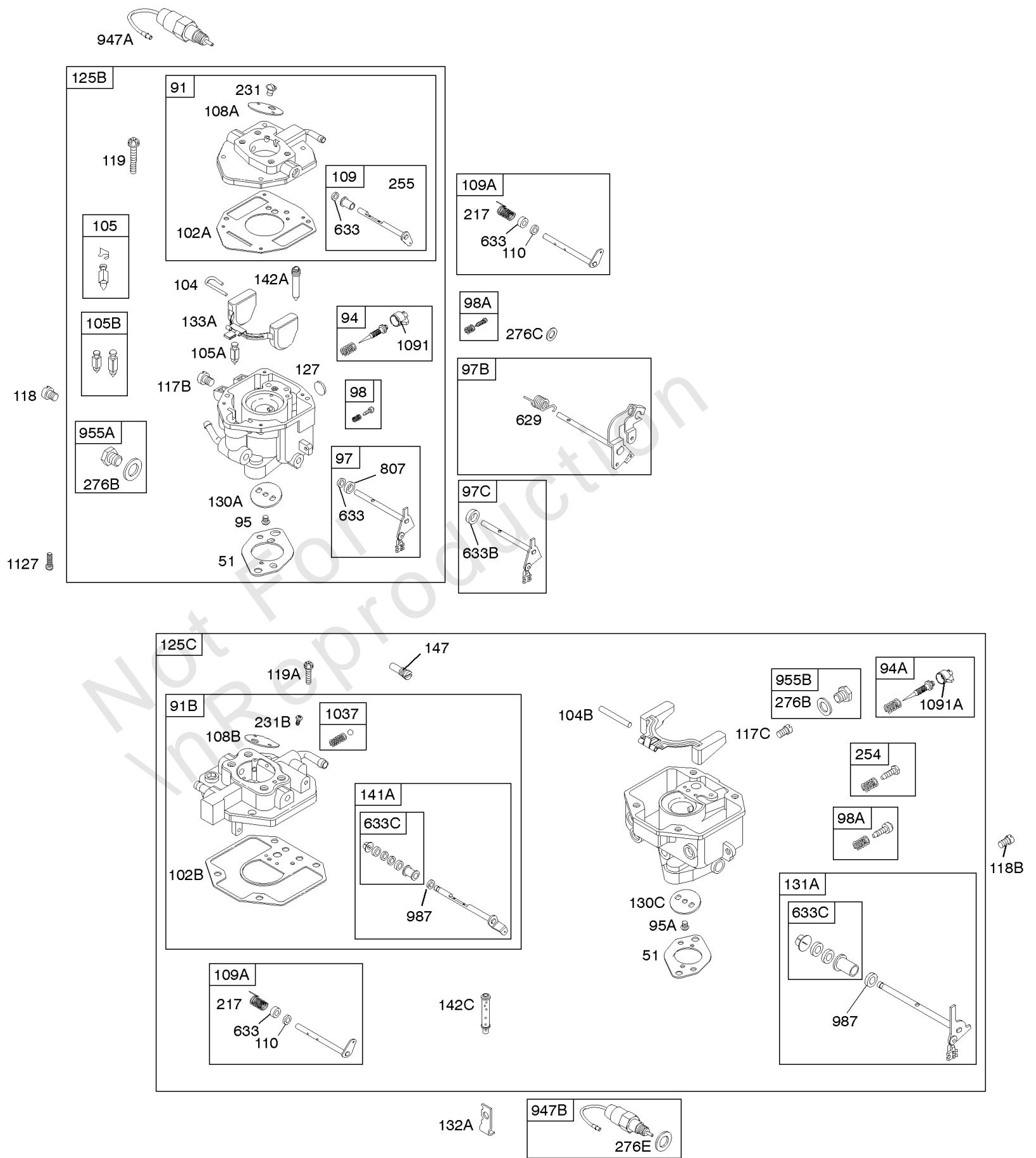
## Alternator, Ignition, Switches

REF NO	PART NO	QTY	DESCRIPTION
578A	692319		WIRE ASSEMBLY
578D	692961		WIRE ASSEMBLY
578C	690809		WIRE ASSEMBLY
578E	691999		WIRE ASSEMBLY
620	494052		BRACKET, Control -(Ignition Coil)
663	692083		SCREW -(Control Panel)
664	691087		NUT -(Key Switch)
683	691029		NUT -(Starter Solenoid)
729	690586		CLIP, Wire
774	692067		SCREW -(Stop Wire)
789	691996		HARNESS, Wiring
789A	844549		HARNESS, Wiring
813	690635		CLAMP
851	493880S		TERMINAL, Spark Plug
877	393456		WIRE/CONNECTOR, Alternator -(White Dual Socket)
877B	393537		WIRE/CONNECTOR, Alternator -(Green)(Single Socket)
877C	399916		WIRE/CONNECTOR, Alternator
877D	698092		WIRE/CONNECTOR, Alternator
878B	691362		HARNESS, Wiring
879	-----		Cover-Carburetor -(NO LONGER AVAILABLE)
892	692318		SWITCH, Key
899	691077		WASHER -(Starter Solenoid)
920	691656		SOLENOID, Starter
927	691116		SCREW -(Electronic Governor Module)
990	691959		SET, Key
1048	690669		MODULE, Electronic Governor
1059	698516		KIT, Screw/Washer
1119	691552		SCREW -(Alternator)



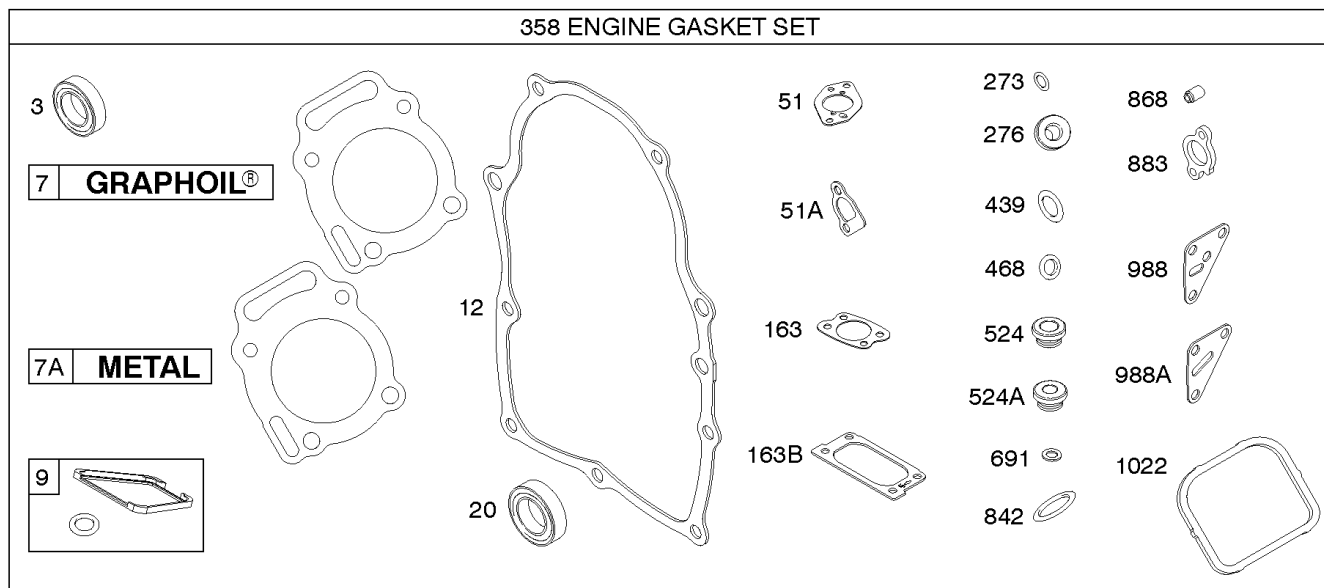
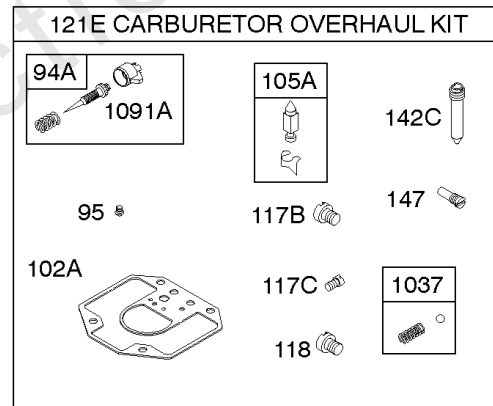
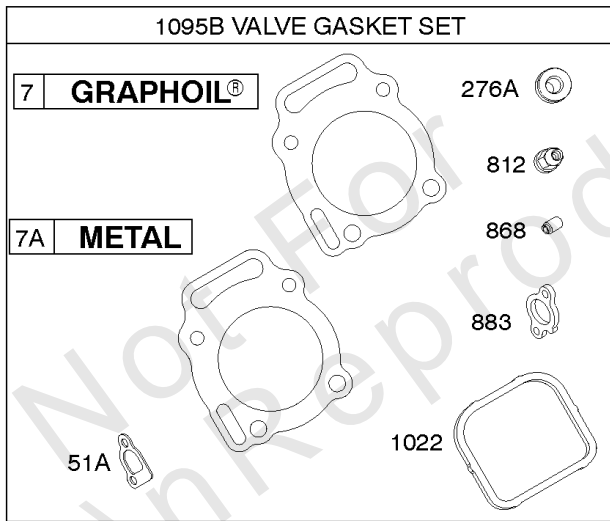
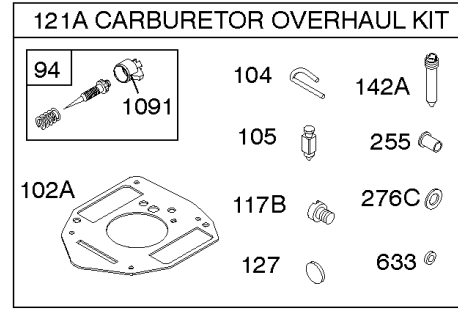
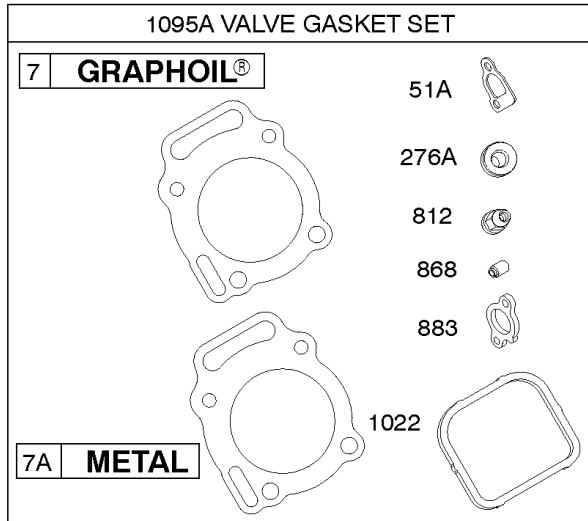
## Carburetor

REF NO	PART NO	QTY	DESCRIPTION
51	691694		GASKET, Intake -(Manifold To Carburetor)
91B	807929		BODY, Upper Carburetor
94A	494923		VALVE, Idle Mixture -Used Before Code Date 95010100
94A	808259		KIT, Idle Mixture -Used After Code Date 94123100
95	690718		SCREW -(Throttle Valve)
95A	94635		SCREW -(Throttle Valve)
97B	809062		SHAFT, Throttle -Used After Code Date 00071100
97C	808397		SHAFT, Throttle -Used Before Code Date 00071200
98	808177		KIT, Idle Speed
98A	807923		KIT, Idle Speed
102A	692077		GASKET, Carburetor Body
102B	272460		GASKET, Carburetor Body
104	690723		PIN, Float Hinge
104B	231784		PIN, Float Hinge
105	807925		VALVE, Float Needle
108A	806134		VALVE, Choke
108B	224535		VALVE, Choke
109	808398		KIT, Choke Shaft
110	806861		WASHER -(Choke Shaft)
117B	231660		JET, Main -(Standard)
117C	806126		JET, Main -(Standard)
118	809685		JET, Main -(High Altitude)
118B	231669		JET, Main -(High Altitude)
119	690720		SCREW -(Upper Carburetor Body to Lower Carburetor Body)
119A	94634		SCREW -(Upper Carburetor Body to Lower Carburetor Body)
125B	809019		CARBURETOR -(Gravity Feed Carburetor)
125C	-----		Carburetor -(For Replacement, Order Reference 125B)
127	690727		PLUG, Welch
130C	224533		VALVE, Throttle -Used Before Code Date 95010100
130C	806132		VALVE, Throttle -Used After Code Date 94123100
131A	807924		KIT, Throttle Shaft
132A	690863		STOP, Throttle
133A	806961		FLOAT, Carburetor
141A	807928		KIT, Choke Shaft
142A	806128		NOZZLE, Carburetor -(Standard)
142C	231782		NOZZLE, Carburetor -(Standard)
147	231783		JET, Pilot



## Carburetor

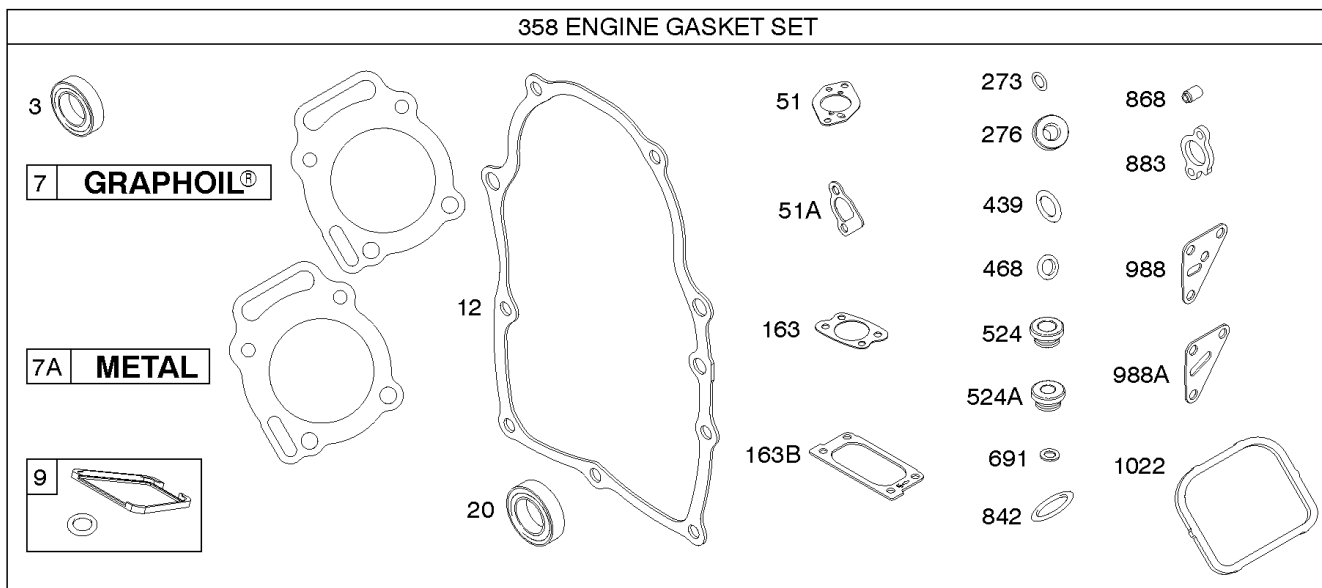
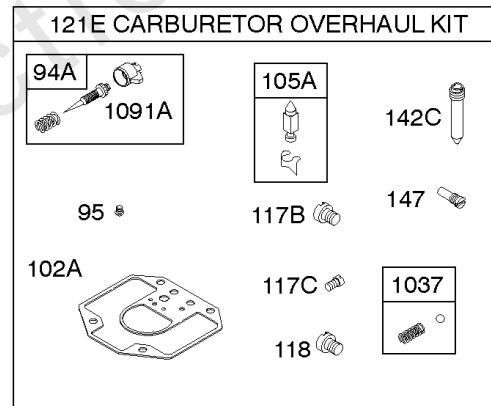
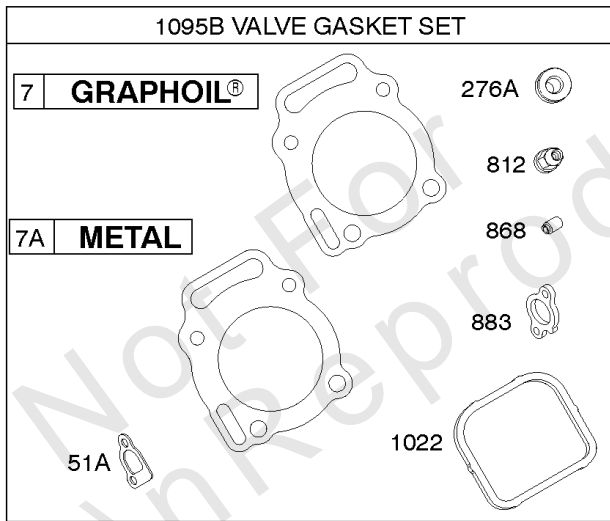
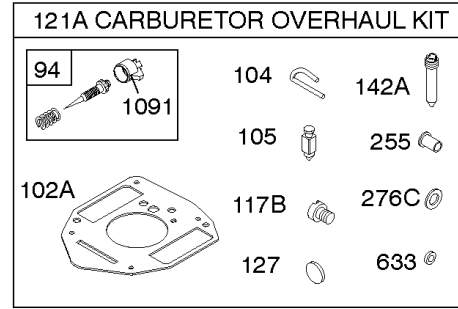
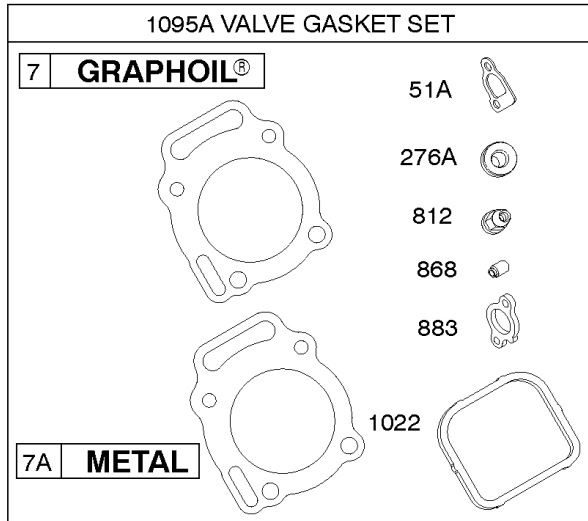
REF NO	PART NO	QTY	DESCRIPTION
217	806862		SPRING, Choke Return
231	690718		SCREW -(Choke Valve)
231B	94457		SCREW -(Choke Valve)
254	807921		DRAIN, Carburetor Bowl
255	690721		BUSHING, Choke Shaft
276B	690724		WASHER, Sealing -(Carburetor Plug)
276E	692343		WASHER, Sealing -(Solenoid)
276C	806137		WASHER, Sealing -(Solenoid)
629	806717		SPRING, Throttle Return -(Throttle Return)
633	690722		SEAL, Choke/Throttle Shaft
633B	806131		SEAL, Choke/Throttle Shaft
633C	808022		SEAL, Choke/Throttle Shaft
807	805557		SPACER -(Throttle)
947A	692094		SOLENOID, Fuel
947B	807922		SOLENOID, Fuel
955A	807723		PLUG, Carburetor -(Jet)
955B	807927		PLUG, Carburetor -(Jet)
987	492172		SEAL, Choke/Throttle Shaft
1037	807915		BALL, Choke Locator
1091	691516		CAP, Limiter
1091A	806054		CAP, Limiter
1127	94460		SCREW -(Float Bowl to Carburetor Body)





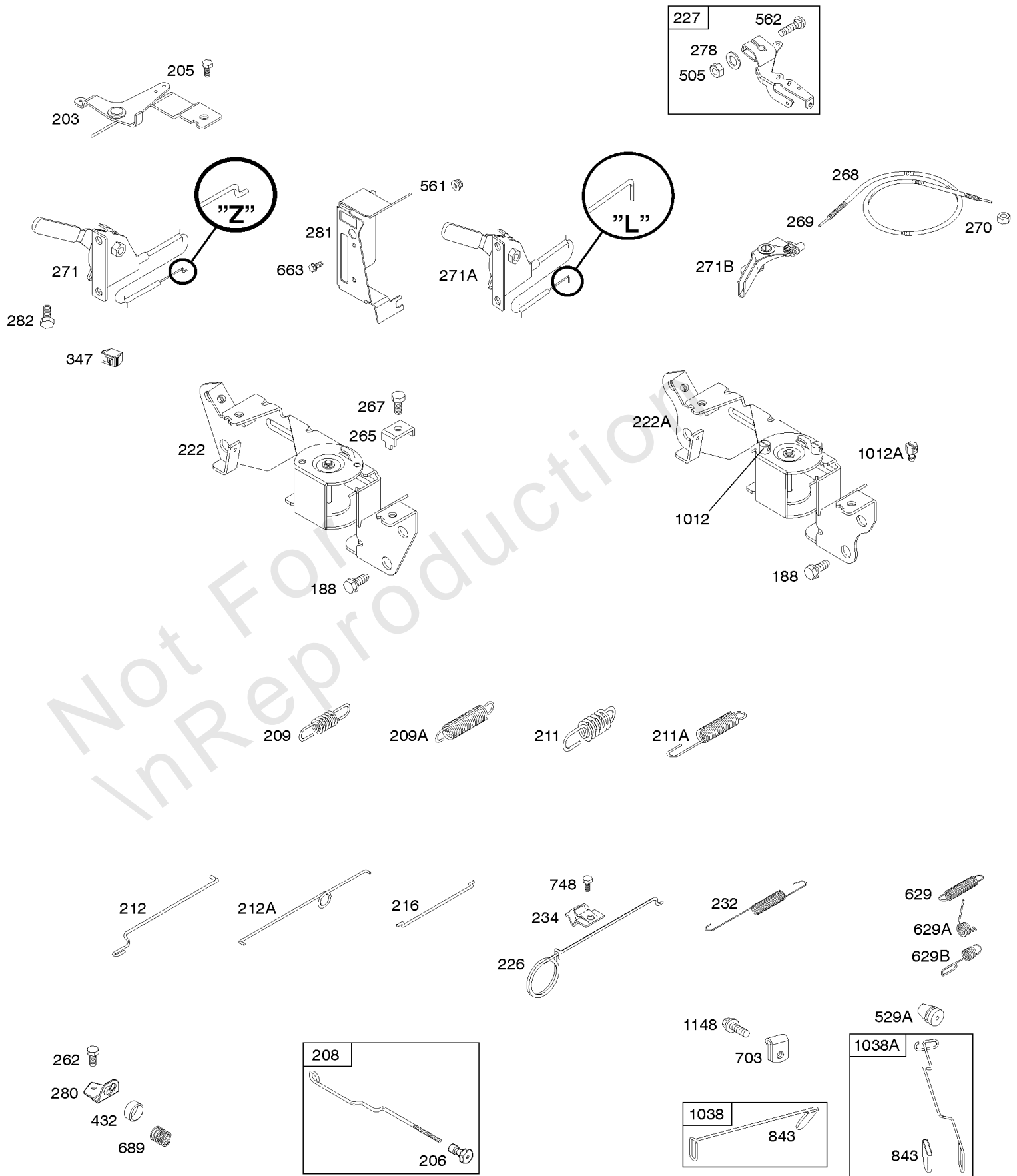
## Carburetor Over Haul, Engine & Valve Gasket Kits, Engine Gasket Set

REF NO	PART NO	QTY	DESCRIPTION
3	805101S		SEAL, Oil -(Magneto Side)
7	690888		GASKET, Cylinder Head -(Graphoil) -Used After Code Date 96033100
7A	805653S		GASKET, Cylinder Head -(Metal) -Used Before Code Date 96040100
9	844986		GASKET, Breather
12	808704		GASKET SET, Engine
12	846487		GASKET, Crankcase
20	805049S		SEAL, Oil -(PTO Side)
51	691694		GASKET, Intake -(Manifold To Carburetor)
51A	692035		GASKET, Intake -(Manifold to Cylinder Head)
94A	808259		KIT, Idle Mixture -Used After Code Date 94123100
94A	494923		VALVE, Idle Mixture -Used Before Code Date 95010100
95	690718		SCREW -(Throttle Valve)
102A	692077		GASKET, Carburetor Body
104	690723		PIN, Float Hinge
105	807925		VALVE, Float Needle
117B	231660		JET, Main -(Standard)
117C	806126		JET, Main -(Standard)
118	809685		JET, Main -(High Altitude)
121A	842881		KIT, Carburetor Overhaul -Used After Code Date 95073100
121E	808274		KIT, Carburetor Overhaul -Used Before Code Date 95080100
127	690727		PLUG, Welch
142A	806128		NOZZLE, Carburetor -(Standard)
142C	231782		NOZZLE, Carburetor -(Standard)
147	231783		JET, Pilot
163	692081		GASKET, Air Cleaner -(Air Cleaner)
163B	692052		GASKET, Air Cleaner -(Air Cleaner)
255	690721		BUSHING, Choke Shaft
273	690681		SEAL, O-Ring -(Oil Pump)
276	690704		WASHER, Sealing -(Govenor Crank)
276A	691766		WASHER, Sealing -(Head)(Rocker Cover) -Used Before Code Date 01120300
276A	807085		WASHER, Sealing -(Head)(Rocker Cover) -Used After Code Date 01120200
276C	806137		WASHER, Sealing -(Solenoid)



## Carburetor Over Haul, Engine & Valve Gasket Kits, Engine Gasket Set

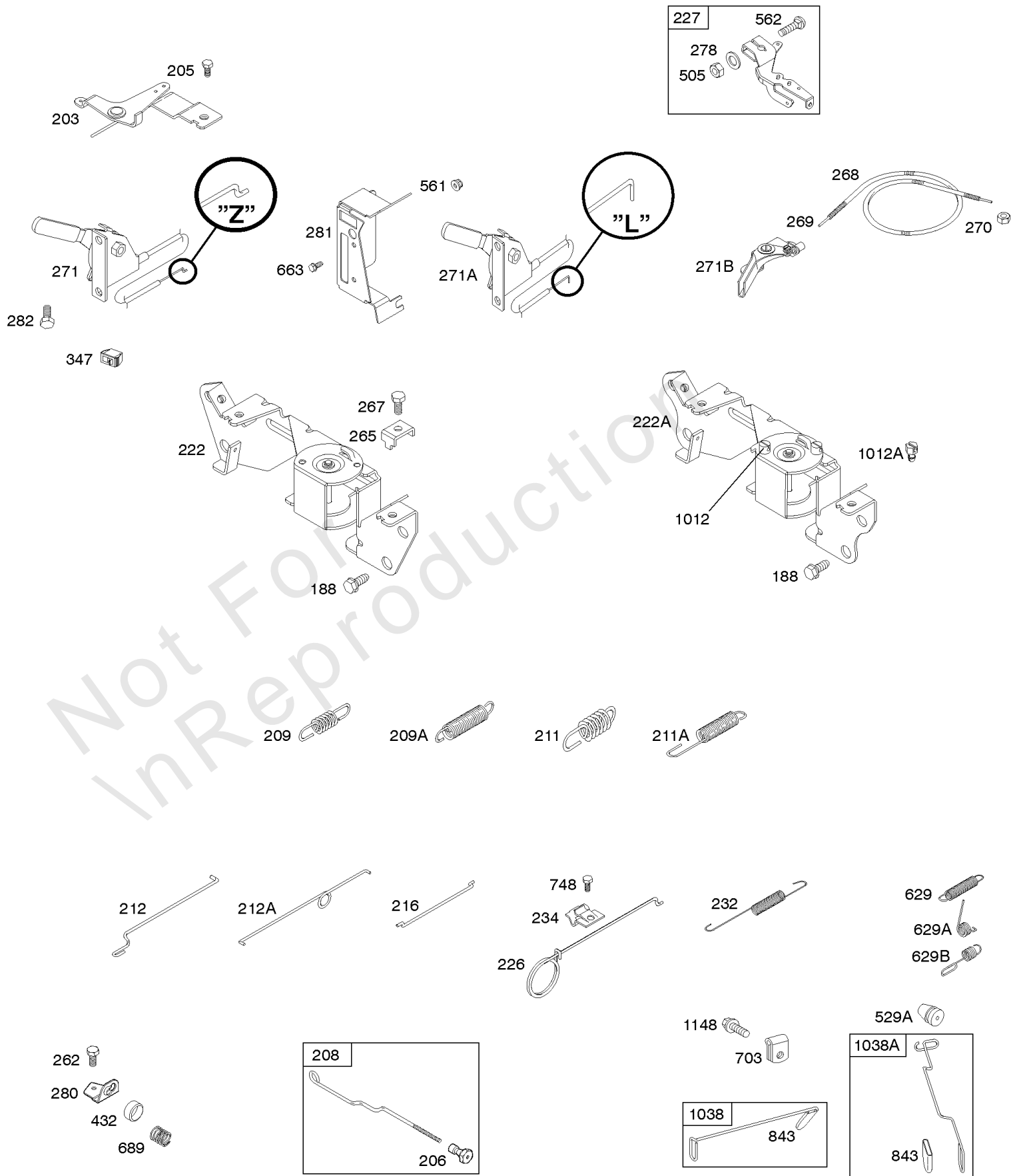
REF NO	PART NO	QTY	DESCRIPTION
358	841188		GASKET SET, Engine -Used After Code Date 01120200
358	808390		GASKET SET, Engine -Used Before Code Date 01120300
439	692154		O-RING, Oil Gallery -(Crankcase Cover/Sump) or (Cylinder Assembly) -Used After Code Date 97043000
439	805198		SEAL, O-Ring -(Crankcase Cover/Sump) or (Cylinder Assembly) -Used Before Code Date 97050100
468	690690		SEAL, O-Ring -(Oil Pump Screen)
524	693172		SEAL, O-Ring -(Dipstick Tube) -Used After Code Date 98053100
524A	281370S		SEAL, O-Ring -(Dipstick Tube) -Used Before Code Date 98060100
633	690722		SEAL, Choke/Throttle Shaft
691	842826		SEAL, Governor Shaft
812	692055		NUT -(Rocker Cover) -Used Before Code Date 01120300
842	690611		SEAL, O-Ring -(Dipstick Tube)
868	691963		SEAL, Valve
883	691613		GASKET, Exhaust
988	692063		GASKET, Oil Adapter
988A	690687		GASKET, Oil Adapter -(Used With Reference 710 Only)
1022	806039S		GASKET, Rocker Cover
1037	807915		BALL, Choke Locator
1091	691516		CAP, Limiter
1091A	806054		CAP, Limiter
1095A	841191		GASKET SET, Valve -Used Before Code Date 01120300
1095B	841191		GASKET SET, Valve -Used After Code Date 01120200



Not For In Reproduction

## Controls, Governor Spring

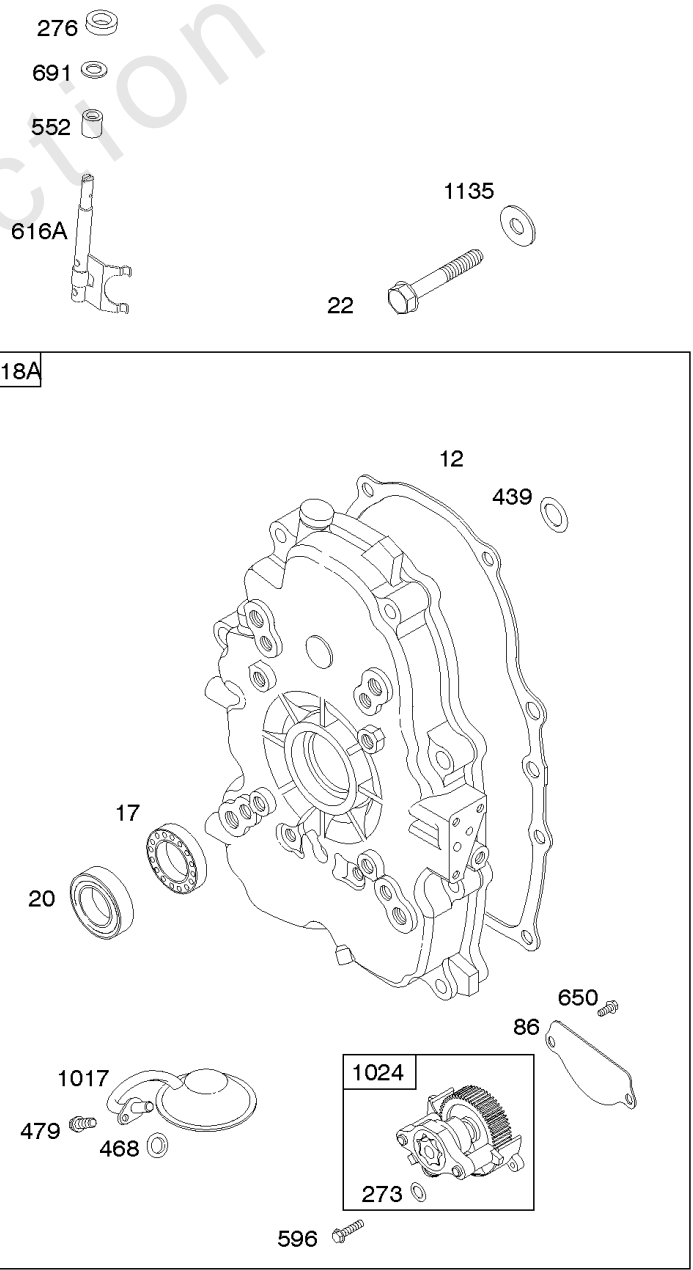
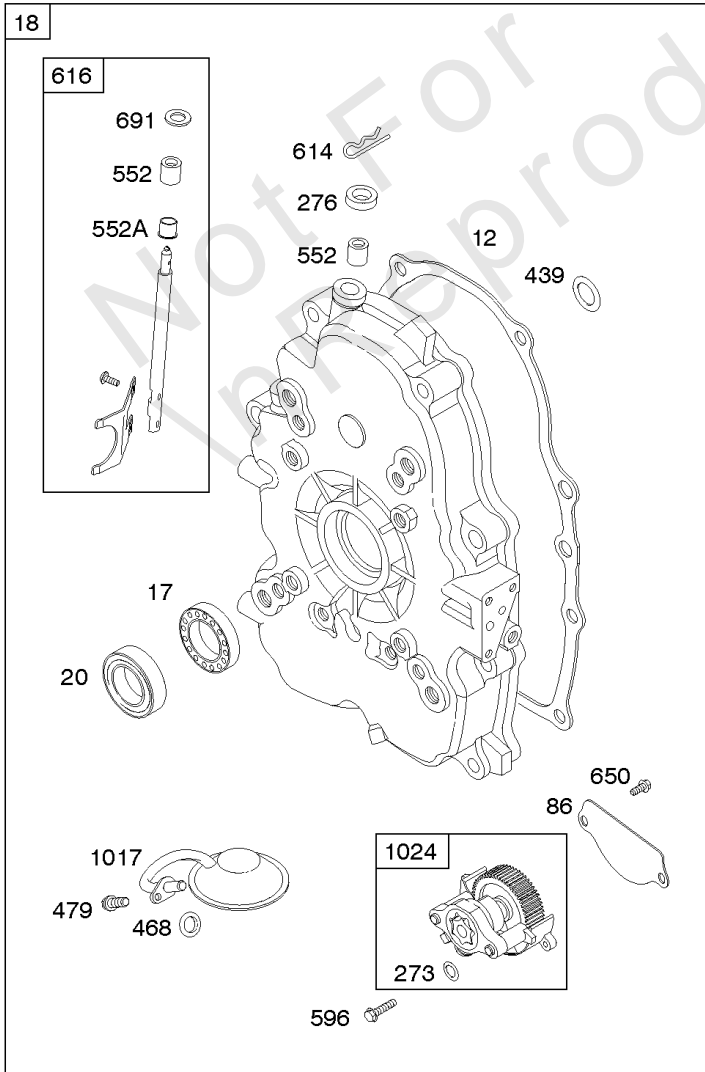
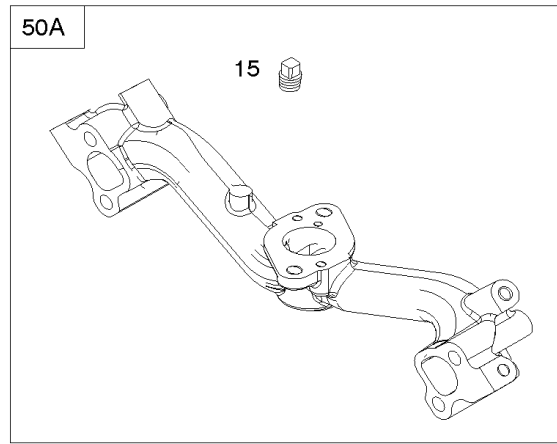
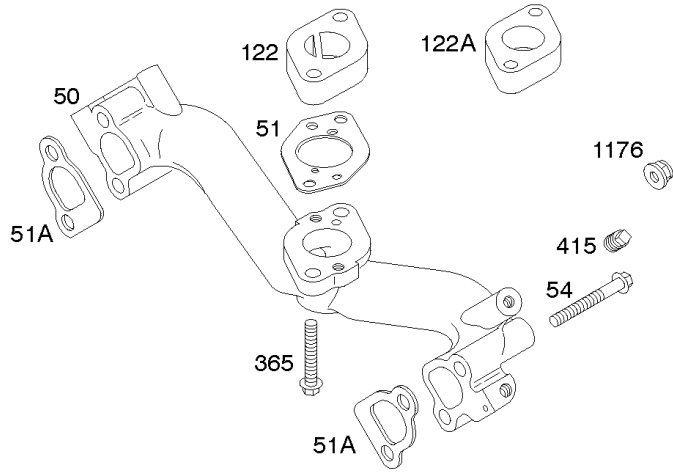
REF NO	PART NO	QTY	DESCRIPTION
188	692056		SCREW -(Control Bracket) (14mm Bracket)
188	692062		SCREW -(Control Bracket) (18mm Bracket)
203	690923		BRACKET, Control
205	692083		SCREW -(Bell Crank)
206	691244		NUT, Governor Adjusting -Used After Code Date 96033100
208	808453		ROD, Governor Control
209A	690709		SPRING, Governor -(Main)
211A	690707		SPRING, Governed Idle
212	690712		LINK, Throttle
212A	691519		LINK, Throttle
216	690705		LINK, Choke
222	845305		BRACKET, Control -(Used With Control Lever And/Or Wire With Z Formed End)
222A	690918		BRACKET, Control -(Used With Control Lever And/Or Wire With L Formed End)
226	692075		ROD, Choke
227	690236		LEVER, Governor Control
232	692073		SPRING, Governor Link
234	691723		CLIP, Control Rod
262	692083		SCREW -(Rod Bracket)
265	691024		CLAMP, Casing
267	692083		SCREW -(Casing Clamp)
268	691025		CASING, Control Wire -(Cut To Required Length)
269	691026		WIRE, Control -(Cut To Required Length)
270	691027		NUT -(Control Wire Casing)
271	692541		LEVER, Control -(Cable Wire With Z Formed End)
271A	692105		LEVER, Control -(Cable Wire With L Formed End )
271B	691028		LEVER, Control
278	842122		WASHER -(Governor Control Lever)
280	691526		BRACKET, Rod
281	690742		PANEL, Control
282	692083		SCREW -(Control Lever)
347	691995		SWITCH, Rocker
432	691509		CAP, Spring
505	690238		NUT -(Governor Lever)
529A	691527		GROMMET
529A	805783		GROMMET -(Breather Extension)
561	690713		NUT -(Control Lever)
562	690239		BOLT -(Governor Control Lever)



## Controls, Governor Spring

REF NO	PART NO	QTY	DESCRIPTION
629	806717		SPRING, Throttle Return -(Throttle Return)
629A	806716		SPRING, Throttle Return -(Throttle Return)
663	692083		SCREW -(Control Panel)
689	691272		SPRING, Friction -(Governor Control Rod)
703	94484		CLAMP
748	692083		SCREW -(Control Rod Clip)
843	691322		SLEEVE, Lever
1012	690592		RETAINER, Link
1012A	691521		RETAINER, Link
1038	492374		ROD, Fuel Shut Off
1038A	691567		ROD, Fuel Shut Off
1148	94504		SCREW -(Clip)

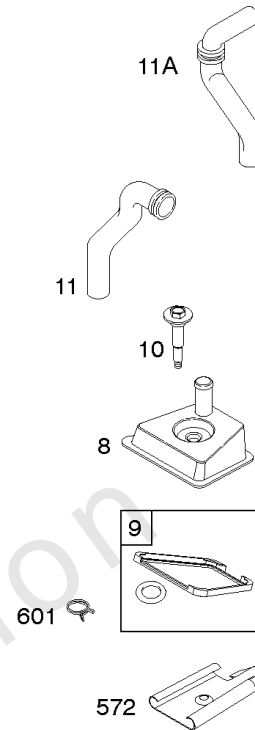
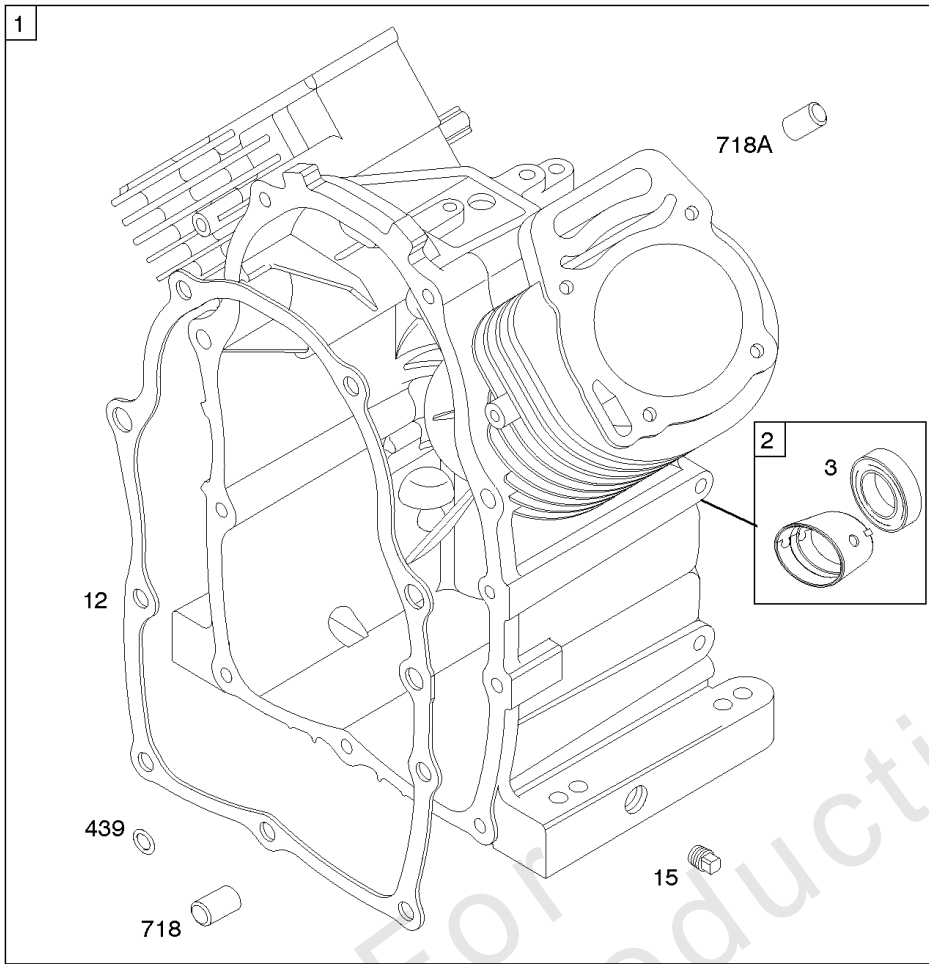
Not For In Reproduction





## Crankcase Cover/Sump, Intake Manifold

REF NO	PART NO	QTY	DESCRIPTION
12	846487		GASKET, Crankcase
15	691680		PLUG, Oil Drain -(3/8"-18 NPTF - Internal 3/8" Sq)
15	690946		PLUG, Oil Drain -(3/8"-18 NPTF-External 7/16" Sq)
17	843827		BEARING, Ball
18	844588		COVER, Crankcase
20	805049S		SEAL, Oil -(PTO Side)
22	807362		SCREW -(Crankcase Cover/Sump)
50	690754		MANIFOLD, Intake
51	691694		GASKET, Intake -(Manifold To Carburetor)
51A	692035		GASKET, Intake -(Manifold to Cylinder Head)
54	690676		SCREW -(Intake Manifold)
86	690745		COVER, Gear
122A	690747		SPACER, Carburetor
273	690681		SEAL, O-Ring -(Oil Pump)
276	690704		WASHER, Sealing -(Governor Crank)
365	690711		SCREW -(Carburetor)
415	794903		PLUG -(Intake Manifold)
439	805198		SEAL, O-Ring -(Crankcase Cover/Sump) or (Cylinder Assembly) -Used Before Code Date 97050100
439	692154		O-RING, Oil Gallery -(Crankcase Cover/Sump) or (Cylinder Assembly) -Used After Code Date 97043000
468	690690		SEAL, O-Ring -(Oil Pump Screen)
479	807084		SCREW -(Oil Pump Screen)
552	690701		BUSHING, Governor Crank -(Output End)
552A	806686		BUSHING, Governor Crank -(Flanged)
596	691492		SCREW -(Oil Pump)
614	691550		PIN, Cotter
616	806685		CRANK, Governor -Used After Code Date 99072000
616A	-----		Crank-Governor -(NO LONGER AVAILABLE) -Used Before Code Date 99072100
650	841233		SCREW -(Oil Deflector)
691	842826		SEAL, Governor Shaft
1017	690900		SCREEN, Oil Pump
1024	843825		PUMP, Oil
1135	806497		WASHER -(Crankcase Cover/Sump)
1176	842067		NUT -(Exhaust Manifold)



1036 EMISSIONS LABEL

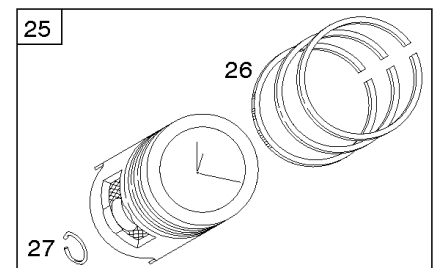
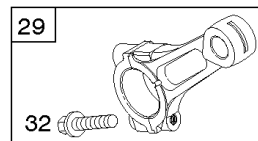
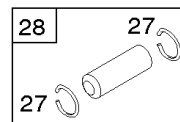
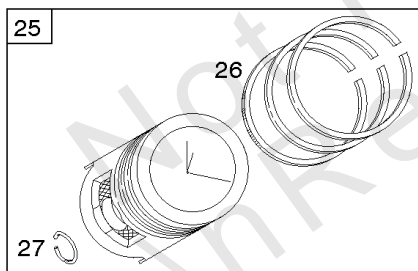
1058 OPERATOR'S MANUAL

1330 REPAIR MANUAL

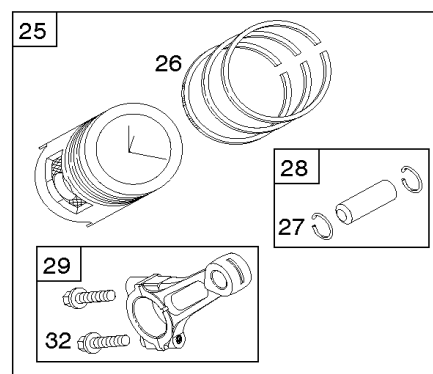
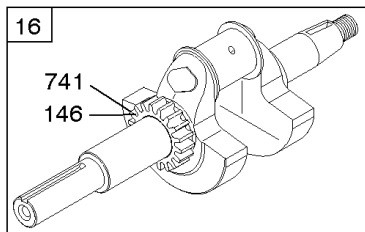
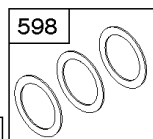
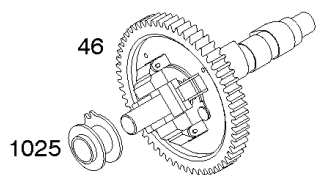
1319 WARNING LABEL

<b>WARNING</b>	
	Read and follow Operating Instructions before running engine.
	Gasoline is flammable. Allow engine to cool at least 2 minutes before refueling.
	Engines emit carbon monoxide, <b>DO NOT</b> run in enclosed area.
	Muffler area temperature may exceed 150°F. Do not touch hot parts.

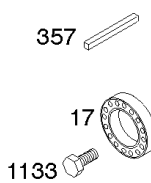
**REQUIRED** when replacing parts with warning labels affixed.



USED AFTER DATE CODE: 07062900

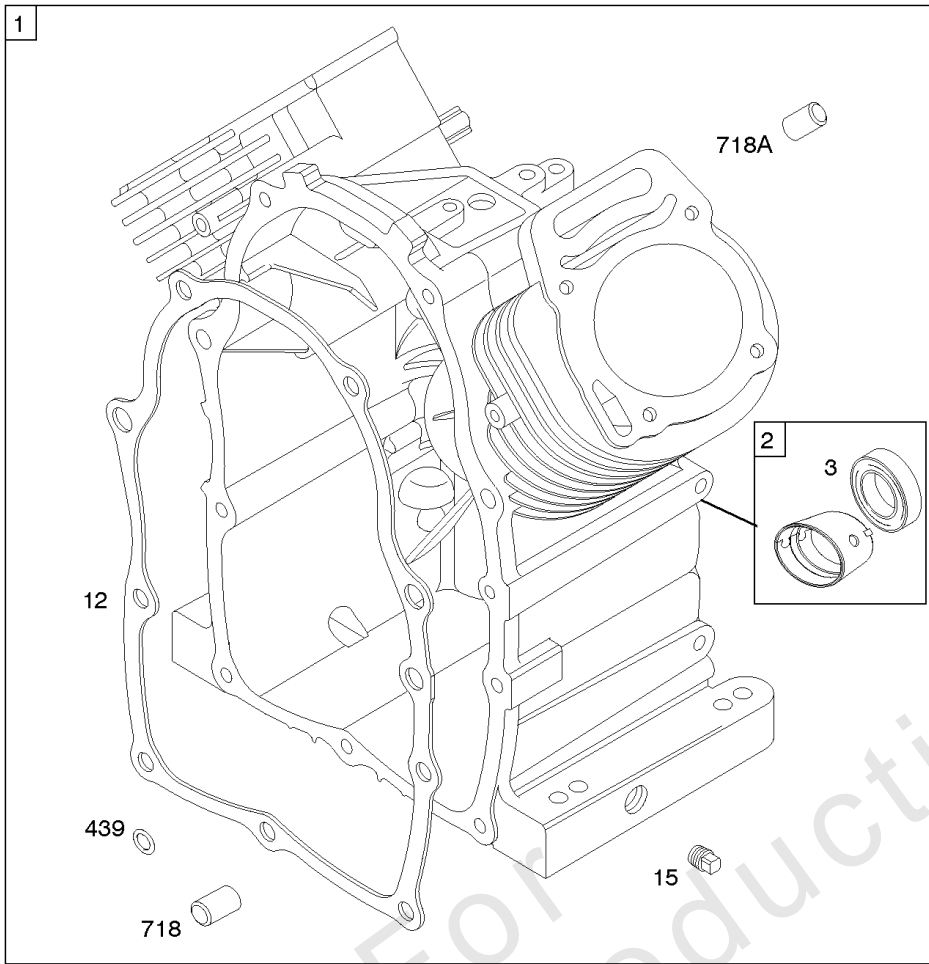


USED BEFORE DATE CODE: 07063000



## Crankshaft, Cylinder, Camshaft, Piston/Rings/Connecting Rod

REF NO	PART NO	QTY	DESCRIPTION
1	690903		CYLINDER ASSEMBLY -Used Before Code Date 97050100
1	692544		CYLINDER ASSEMBLY -Used After Code Date 97043000
2	808534		KIT, Bushing/Seal -(Magneto Side) -Used After Code Date 97043000
2	807687		KIT, Bushing/Seal -(Magneto Side) -Used Before Code Date 97050100
3	805101S		SEAL, Oil -(Magneto Side)
8	808984		BREATHER ASSEMBLY
9	844986		GASKET, Breather
10	690751		SCREW -(Breather Assembly)
11	691556		TUBE, Breather
11A	806083S		TUBE, Breather
15	690946		PLUG, Oil Drain -(3/8"-18 NPTF-External 7/16" Sq)
15	691680		PLUG, Oil Drain -(3/8"-18 NPTF - Internal 3/8" Sq)
16	807780		CRANKSHAFT -Used Before Code Date 97050100
17	843827		BEARING, Ball
25	844540		PISTON ASSEMBLY -(Standard) -Used Before Code Date 07063000
25	843792		PISTON ASSEMBLY -(Standard) -Used After Code Date 07062900
25	843821		PISTON ASSEMBLY -(.020 Oversize)
26	843793		SET, Ring -(Standard)
26	843822		SET, Ring -(.020 Oversize)
27	690683		LOCK, Piston Pin
28	807886		PIN, Piston -(Standard)
29	807900S		ROD, Connecting
32	690698		SCREW -(Connecting Rod)
46	845649		CAMSHAFT
146	691639		KEY, Woodruff
357	691483		KEY, Drive Pulley
377	808095		KEY, Woodruff
572	690686		BAFFLE, Breather
598	807625		SHIM, End Play -(Crankshaft or Camshaft Bearing)
601	691038		CLAMP, Hose
718	806469		PIN, Locating
741	691530		GEAR, Timing
1025	690689		SPOOL, Governor
1036	-----		Label-Emissions -(Available From A Briggs & Stratton Authorized Dealer)
1058	276344TRI		MANUAL, Operator's
1133	690342		SCREW -(Crankshaft)



1036 EMISSIONS LABEL

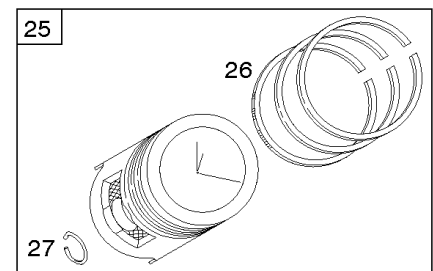
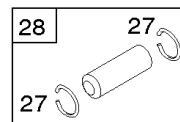
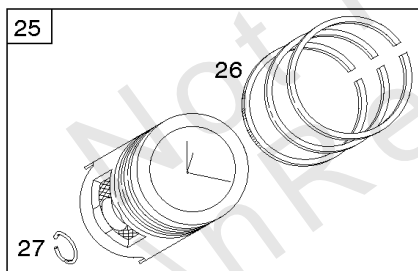
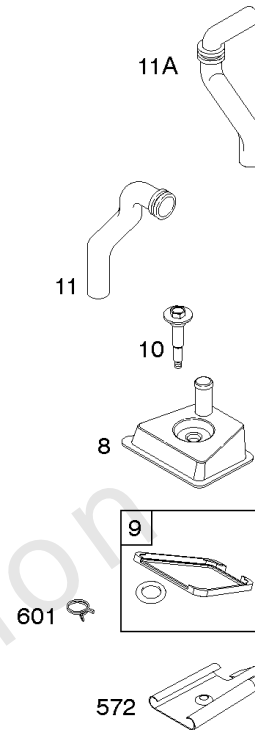
1058 OPERATOR'S MANUAL

1330 REPAIR MANUAL

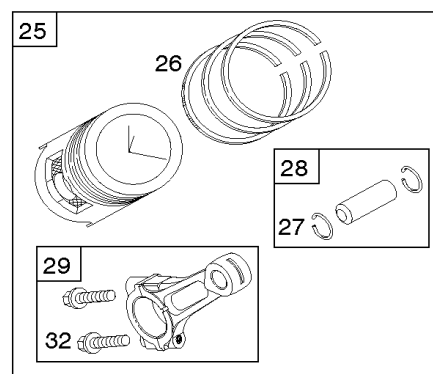
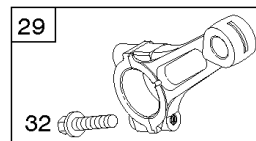
1319 WARNING LABEL

<b>WARNING</b>	
	Read and follow Operating Instructions before running engine.
	Gasoline is flammable. Allow engine to cool at least 2 minutes before refueling.
	Engines emit carbon monoxide, <b>DO NOT</b> run in enclosed area.
	Muffler area temperature may exceed 150°F. Do not touch hot parts.

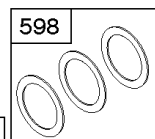
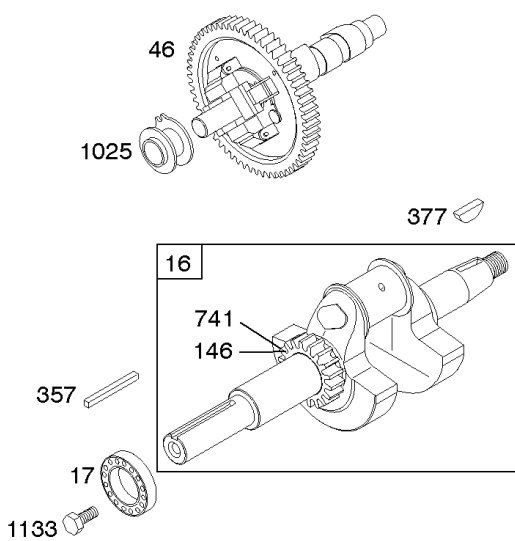
**REQUIRED** when replacing parts with warning labels affixed.



USED AFTER DATE CODE: 07062900



USED BEFORE DATE CODE: 07063000



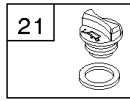
## ***Crankshaft, Cylinder, Camshaft, Piston/Rings/Connecting Rod***

---

<b>REF NO</b>	<b>PART NO</b>	<b>QTY</b>	<b>DESCRIPTION</b>
1319	794467		LABEL, Warning
1330	272144		MANUAL, Repair

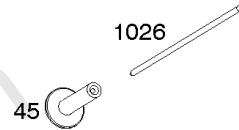
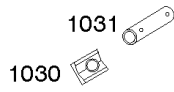
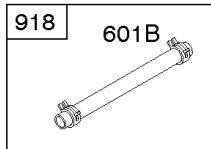
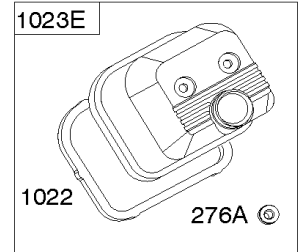
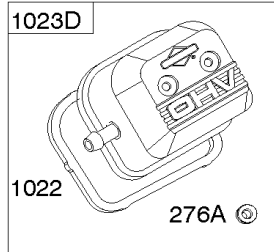
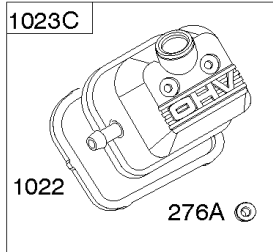
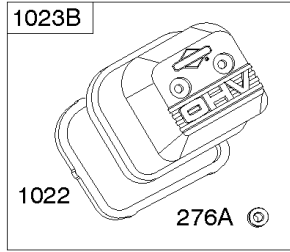
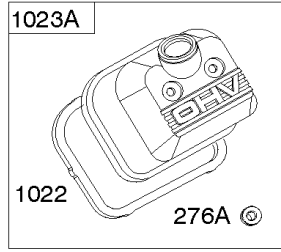
---

Not For In Reproduction

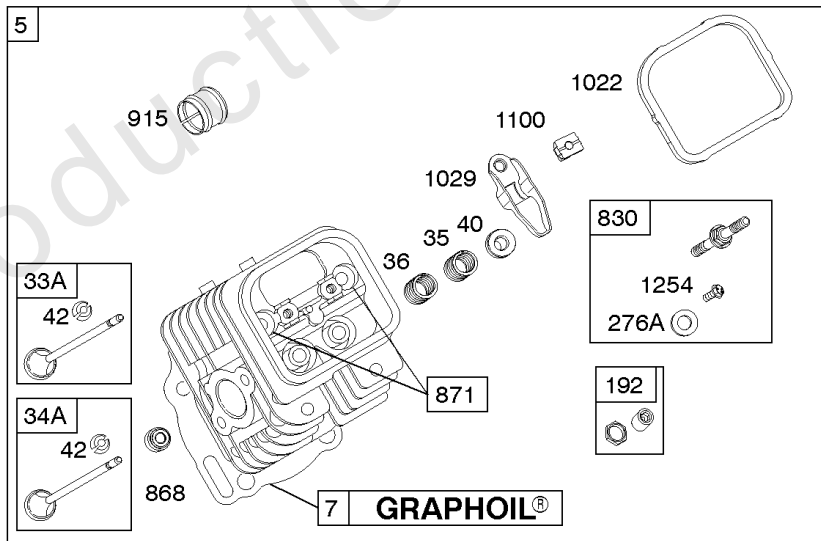
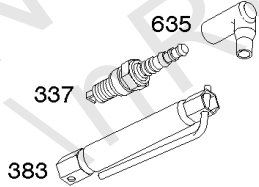


812  
276A

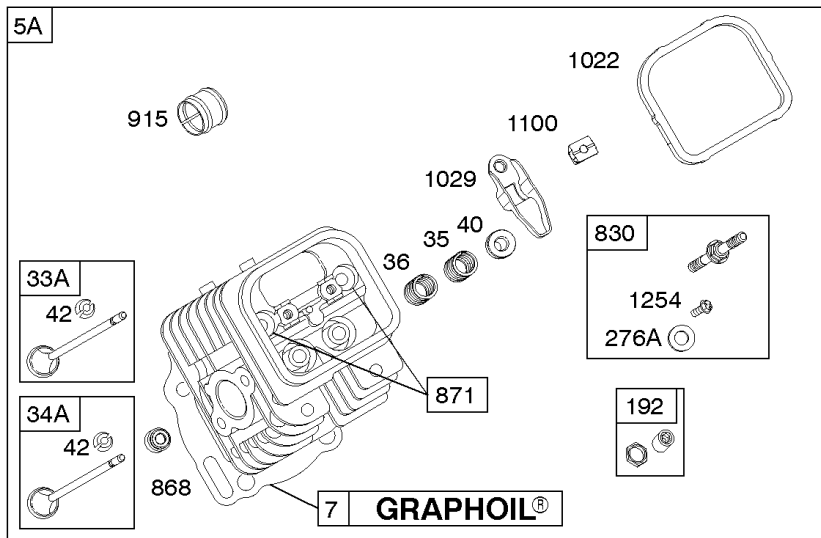
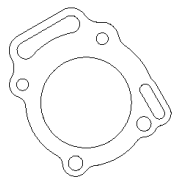
1254



Not For Preproduction

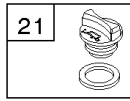


7A METAL



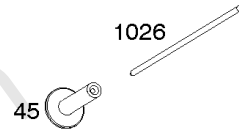
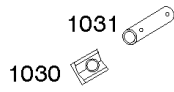
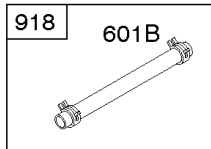
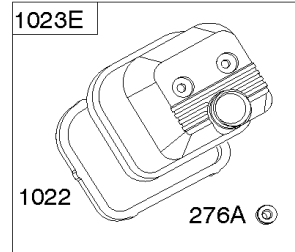
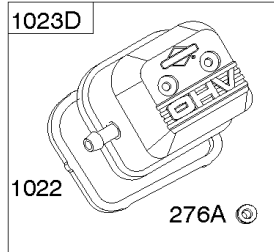
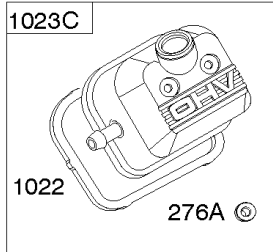
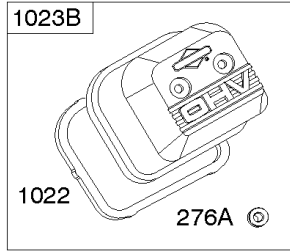
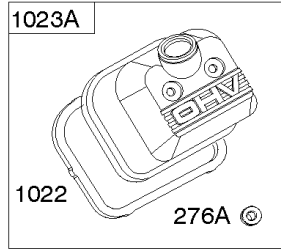
## Cylinder Head

REF NO	PART NO	QTY	DESCRIPTION
5	809185		HEAD, Cylinder -(Cylinder 1)
5A	809186		HEAD, Cylinder -(Cylinder 2)
6	805193		WASHER -(Cylinder Head) -Used Before Code Date 94050100
7	690888		GASKET, Cylinder Head -(Graphoil) -Used After Code Date 96033100
7A	805653S		GASKET, Cylinder Head -(Metal) -Used Before Code Date 96040100
13	692059		SCREW -(Cylinder Head)
21	809500		CAP, Oil Fill
33A	807681		VALVE, Exhaust
34A	807680		VALVE, Intake
35	692084		SPRING, Valve -(Intake)
36	692084		SPRING, Valve -(Exhaust)
40	692058		RETAINER, Valve
42	807683		RETAINER, Valve
45	690977		TAPPET, Valve
192	807623		ADJUSTER, Rocker Arm
276A	807085		WASHER, Sealing -(Head)(Rocker Cover) -Used After Code Date 01120200
276A	691766		WASHER, Sealing -(Head)(Rocker Cover) -Used Before Code Date 01120300
337	491055S		PLUG, Spark
383	19576S		WRENCH, Spark Plug
601B	791850		CLAMP, Hose
635	692076		BOOT, Spark Plug
812	692055		NUT -(Rocker Cover) -Used Before Code Date 01120300
830	809157		STUD, Rocker Arm -(Rocker Arm) -Used After Code Date 96033100
830	-----		Stud-Rocker Arm -(NO LONGER AVAILABLE) -Used Before Code Date 96040100
868	691963		SEAL, Valve
871	692057		BUSHING, Valve Guide
915	691493		LINER, Port
918	791880		HOSE, Vacuum -(Cut To Required Length)
1022	806039S		GASKET, Rocker Cover
1023A	843749		COVER, Rocker
1023C	690910		COVER, Rocker -(Cylinder 1) (With Fuel Pump) -Used After Code Date 98053100
1023B	691494		COVER, Rocker
1023E	691531		COVER, Rocker -(Used On Engines Equipped With 9 Quart Fuel Tanks)

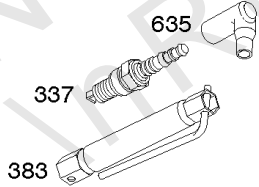
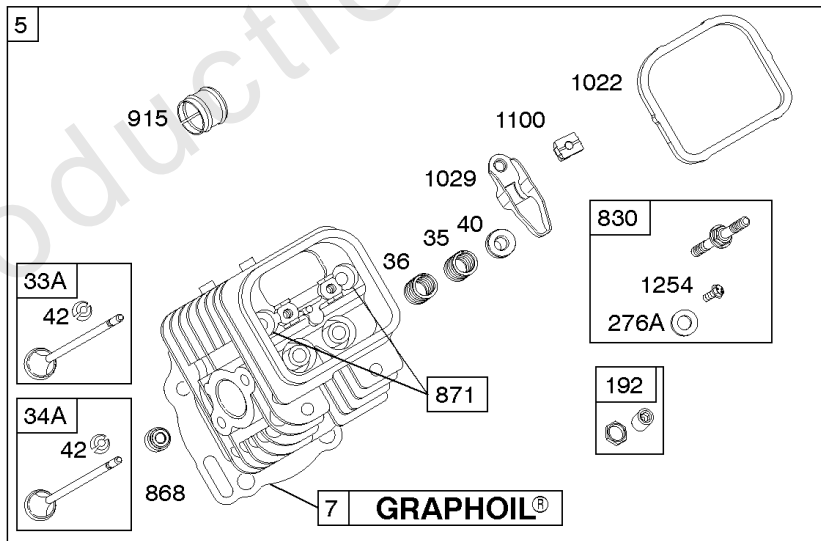


812  
276A

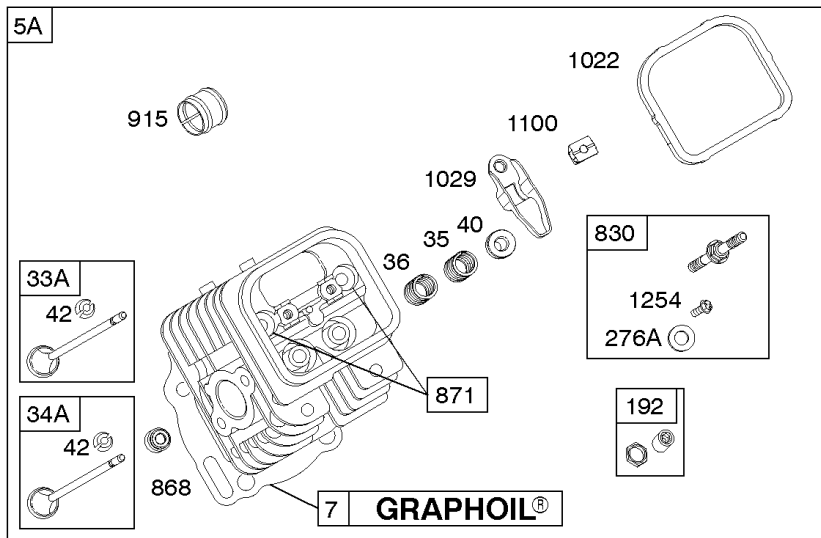
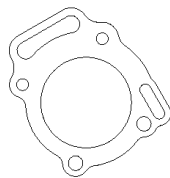
1254



Not For Preproduction



7A METAL

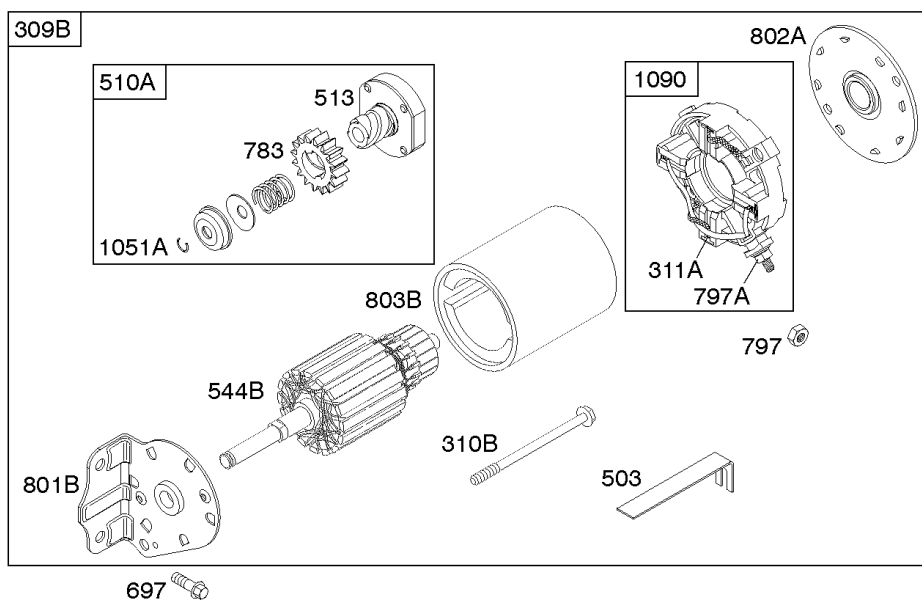
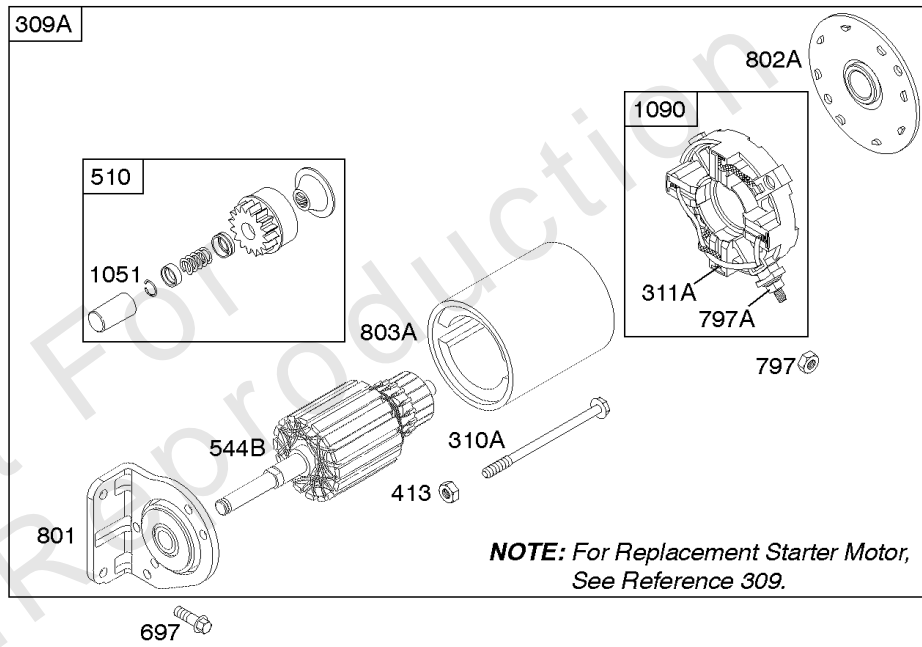
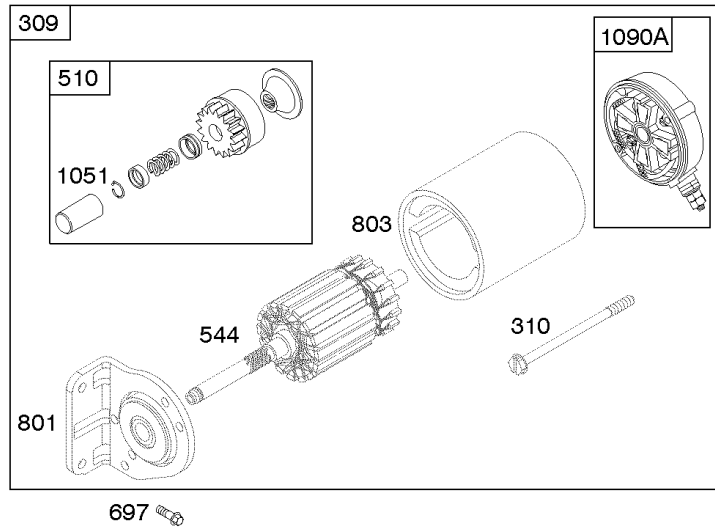




## Cylinder Head

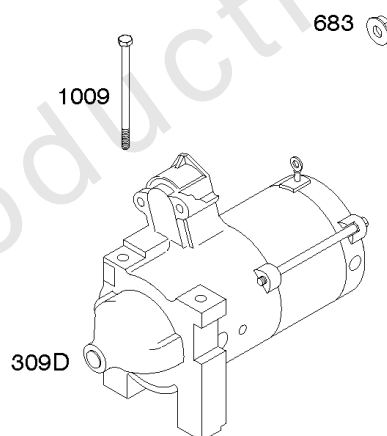
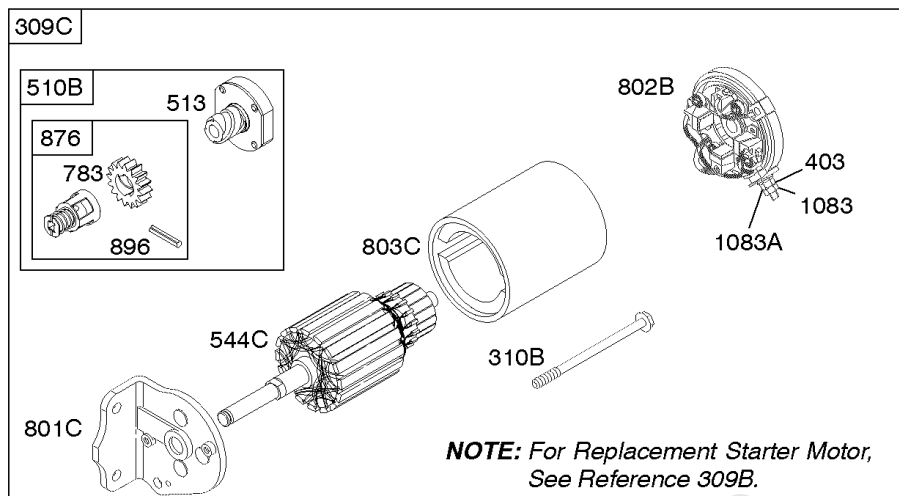
REF NO	PART NO	QTY	DESCRIPTION
1023D	691558		COVER, Rocker -(Cylinder 1) (With Fuel Pump) -Used Before Code Date 98060100
1026	691758		ROD, Push -(Aluminum)
1026	691836		ROD, Push -(Steel)
1029	807323		ARM, Rocker
1030	691496		SUPPORT, Rocker Arm -Used Before Code Date 96040100
1031	690693		SHAFT, Rocker Arm -Used Before Code Date 96040100
1100	791959		PIVOT, Rocker Arm
1254	807084		SCREW -(Rocker Arm Stud) -Used After Code Date 01120200

Not For InReproduction



## Electric Starter #1

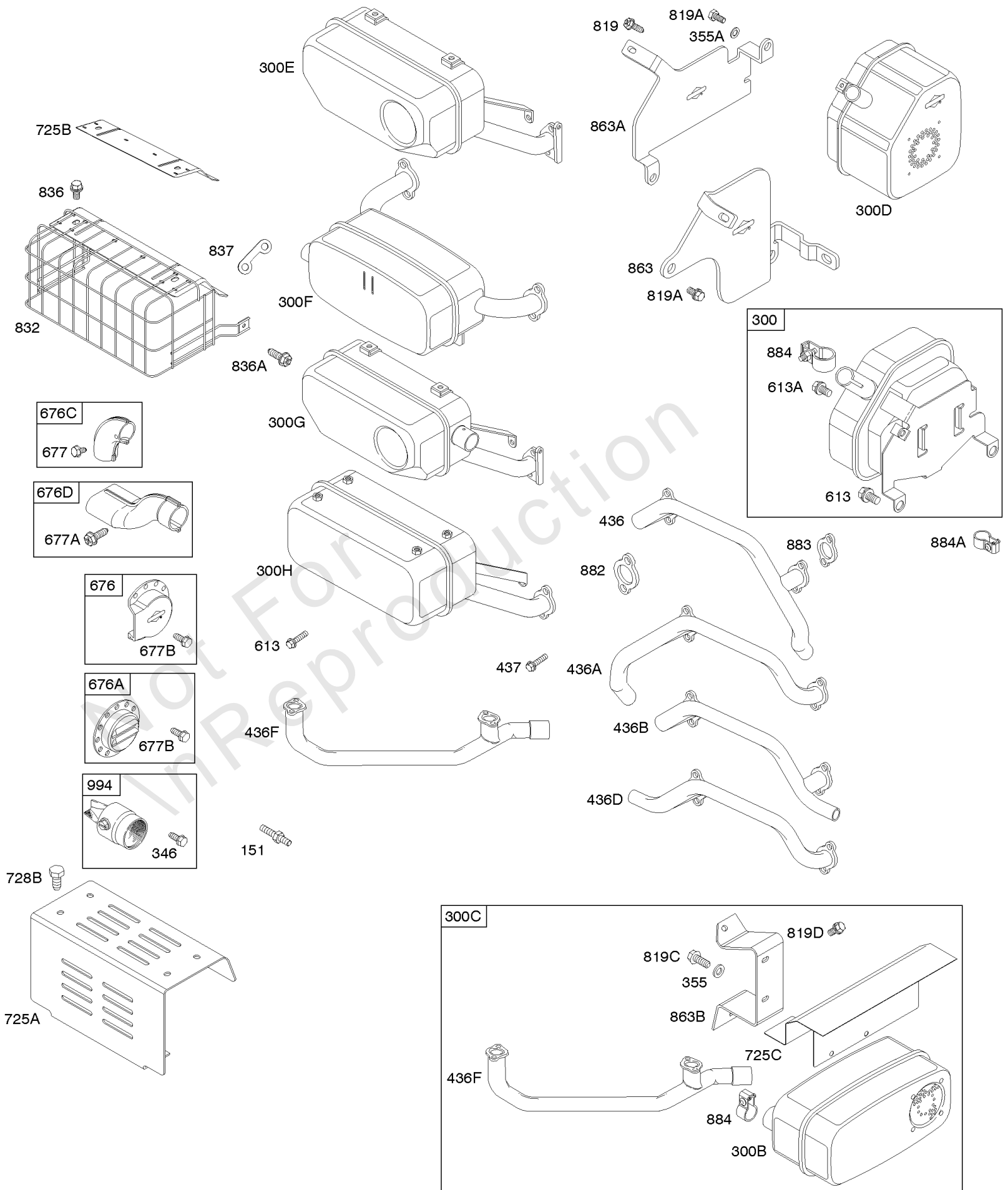
REF NO	PART NO	QTY	DESCRIPTION
309	691564		MOTOR, Starter -(Steel Ring Gear Only)
309A	-----		Motor-Starter -(For Replacement Starter Motor, Order Reference 309)
309B	795121		MOTOR, Starter -(Services Aluminum Ring Gear Only)
310	-----		Screw -(Starter Motor) (For Replacement Starter Motor, Order Reference 309)
310A	690323		BOLT -(Starter Motor) (4 7/16" Long)
310B	SEE COMMENTS		ARMATURE, Starter -(Starter Motor) (Replacement Starter Motor, Order Reference 309B)
311A	497608		SET, Brush
413	693587		NUT -(Starter Motor)
503	691532		STRAP, Starter
510	496881		DRIVE, Starter -(Used With Steel Ring Gear)
510A	696541		DRIVE, Starter -(Used With Aluminum Ring Gear)
513	692024		CLUTCH, Drive
544	SEE COMMENT		GASKET, Float Bowl -(Replacement Starter Motor, Order Reference 309B)
544B	SEE COMMENTS		ARMATURE, Starter -(Replacement Starter Motor, Order Reference 309B)
697	692062		SCREW -(Drive Cap)
783	695708		GEAR, Pinion -(Services Aluminum Ring Gear Only)
797	691029		NUT -(Brush Retainer)
797A	693167		NUT -(Brush Retainer)
801	-----		Cap-Drive -(For Replacement Starter Motor, Order Reference 309)
801B	691283		CAP, Drive
802A	691286		CAP, End
803	-----		Housing-Starter -(For Replacement Starter Motor, Order Reference 309)
803A	-----		Housing-Starter -(For Replacement Starter Motor, Order Reference 309)
803B	-----		Housing-Starter -(For Replacement Starter Motor, Order Reference 309)
1051	691124		RING, Retaining
1051A	691265		RING, Retaining
1090	691293		RETAINER, Brush
1090A	496813		RETAINER, Brush



Not For  
InReproduction

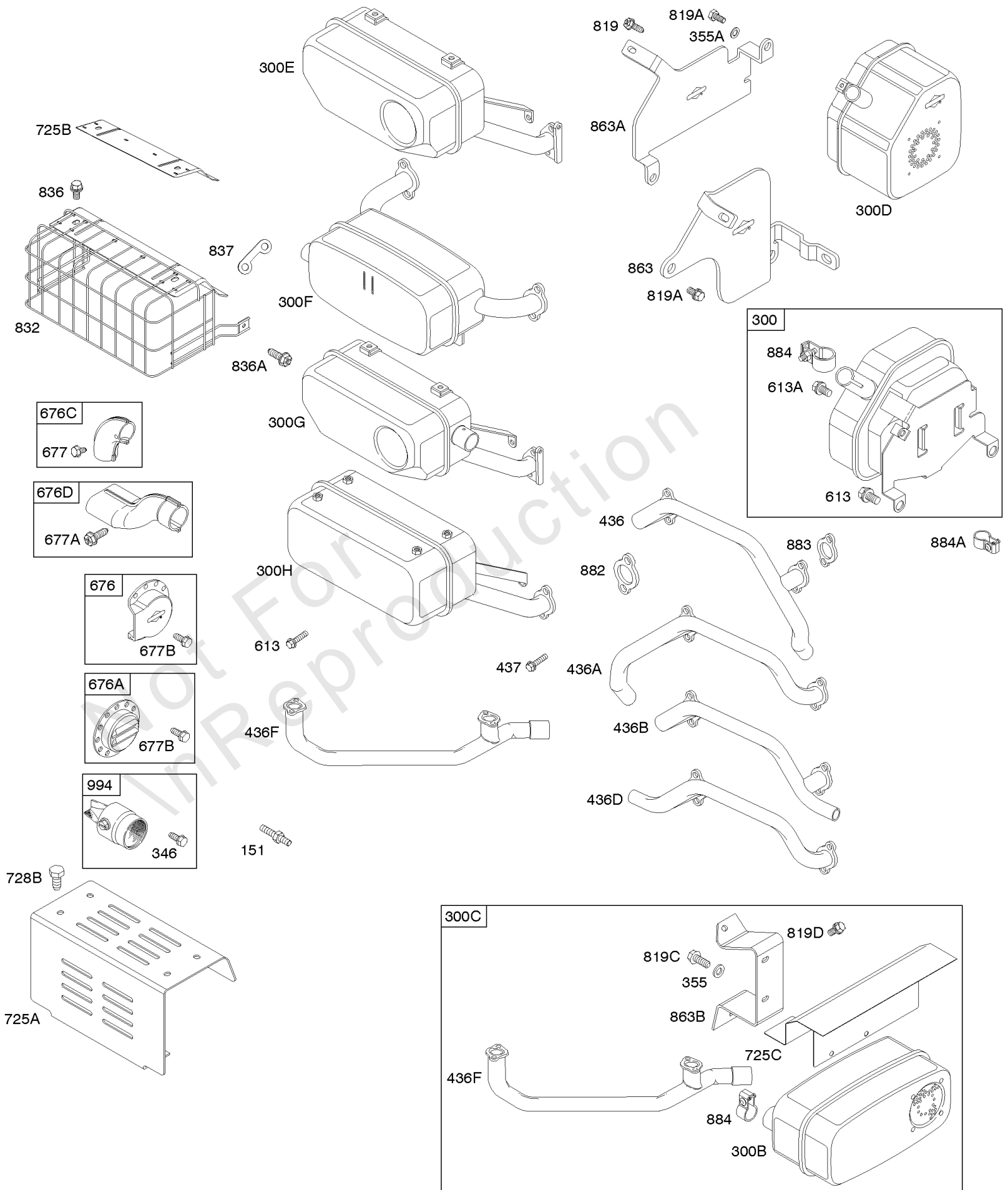
## Electric Starter #2

REF NO	PART NO	QTY	DESCRIPTION
309C	SEE COMMENTS		ARMATURE, Starter -(Replacement Starter Motor, Order Reference 309B)
310B	SEE COMMENTS		ARMATURE, Starter -(Starter Motor) (Replacement Starter Motor, Order Reference 309B)
403	690288		WASHER -(End Cap)
510B	696540		DRIVE, Starter
513	692024		CLUTCH, Drive
544C	490309		ARMATURE, Starter -(4 3/8 Housing)
683	691029		NUT -(Starter Solenoid)
697	692062		SCREW -(Drive Cap)
783	695708		GEAR, Pinion -(Services Aluminum Ring Gear Only)
801C	-----		Cap-Drive
802B	-----		Cap-End -(For Replacement Starter Motor, Order Reference 309B)
803C	398892		HOUSING, Starter -(4 9/16 Housing)
803C	494205		HOUSING, Starter -(4 3/8 Housing)
876	696539		KIT, Pinion Spring
896	691641		PIN, Drive Retainer
1009	806474		SCREW -(Starter Motor)
1083	691626		NUT -(End Cap)
1083A	690958		NUT -(End Cap)



## Exhaust System

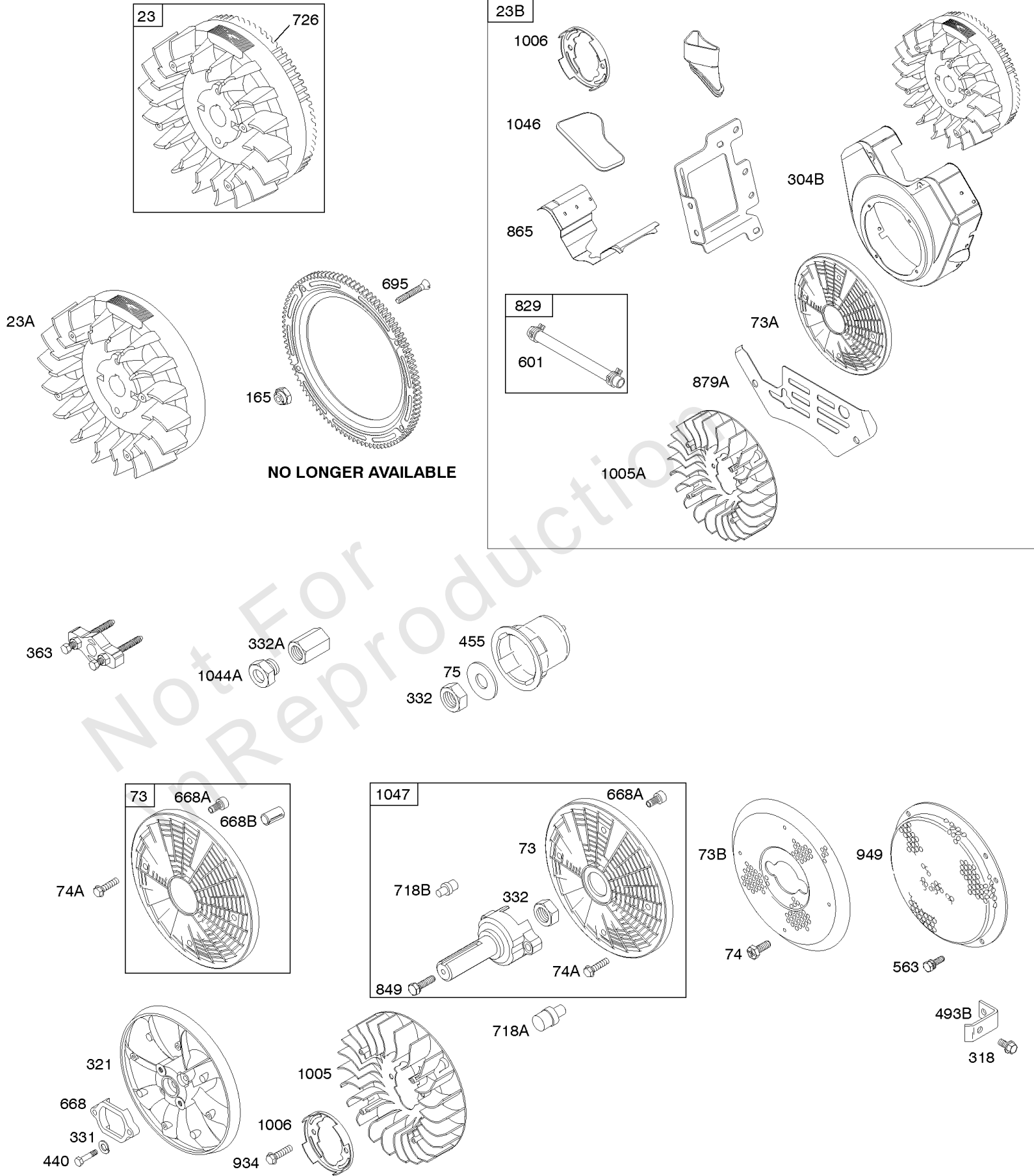
REF NO	PART NO	QTY	DESCRIPTION
151	841185		STUD -(Exhaust Manifold)
300	-----		Muffler -(For Replacement Muffler, Order 692099)
300B	498984S		MUFFLER -(High On The Side)
300E	690906		MUFFLER -(Hi Mount)(Starter Side Exit)
300F	690931		MUFFLER -(Hi Mount)(Starter Side Exit)
300G	691562		MUFFLER -(Hi Mount)(Oil Filter Side Exit)
300D	692099		MUFFLER -(Lo Mount)(Starter Motor Side Or Oil Filter Side)
300C	807752		MUFFLER -(High On The Side)
300H	807831		MUFFLER -(Hi Mount)(Starter Side Exit)
346	690661		SCREW -(Spark Arrestor)
355	842122		WASHER -(Muffler Bracket)
355A	690944		WASHER -(Muffler Bracket)
436	692061		MANIFOLD, Exhaust -(Lo Mount)(Oil Filter Side)
436A	691499		MANIFOLD, Exhaust -(Lo Mount)(Starter Motor Side)
436B	691501		MANIFOLD, Exhaust -(Customer Supplied Muffler)(Oil Filter Side Exit)
436D	691502		MANIFOLD, Exhaust -(Customer Supplied Muffler)(Starter Side Exit)
436F	805609		MANIFOLD, Exhaust -(High On The Side)
437	691902		SCREW -(Exhaust Manifold)
613	692067		SCREW -(Muffler)
613A	841233		SCREW -(Muffler)
613A	692198		SCREW -(Muffler) -Used Before Code Date 97012400
613A	690297		SCREW -(Muffler) -Used After Code Date 97012300
676	795036		DEFLECTOR, Muffler
676A	795038		DEFLECTOR, Muffler
676C	495518		DEFLECTOR, Muffler
676D	808394		DEFLECTOR, Muffler
677	810079		SCREW -(Muffler Deflector)
677A	690688		SCREW -(Muffler Deflector)
677B	690661		SCREW -(Muffler Deflector)
725A	805702		SHIELD, Heat
725B	691498		SHIELD, Heat
725C	806102		SHIELD, Heat





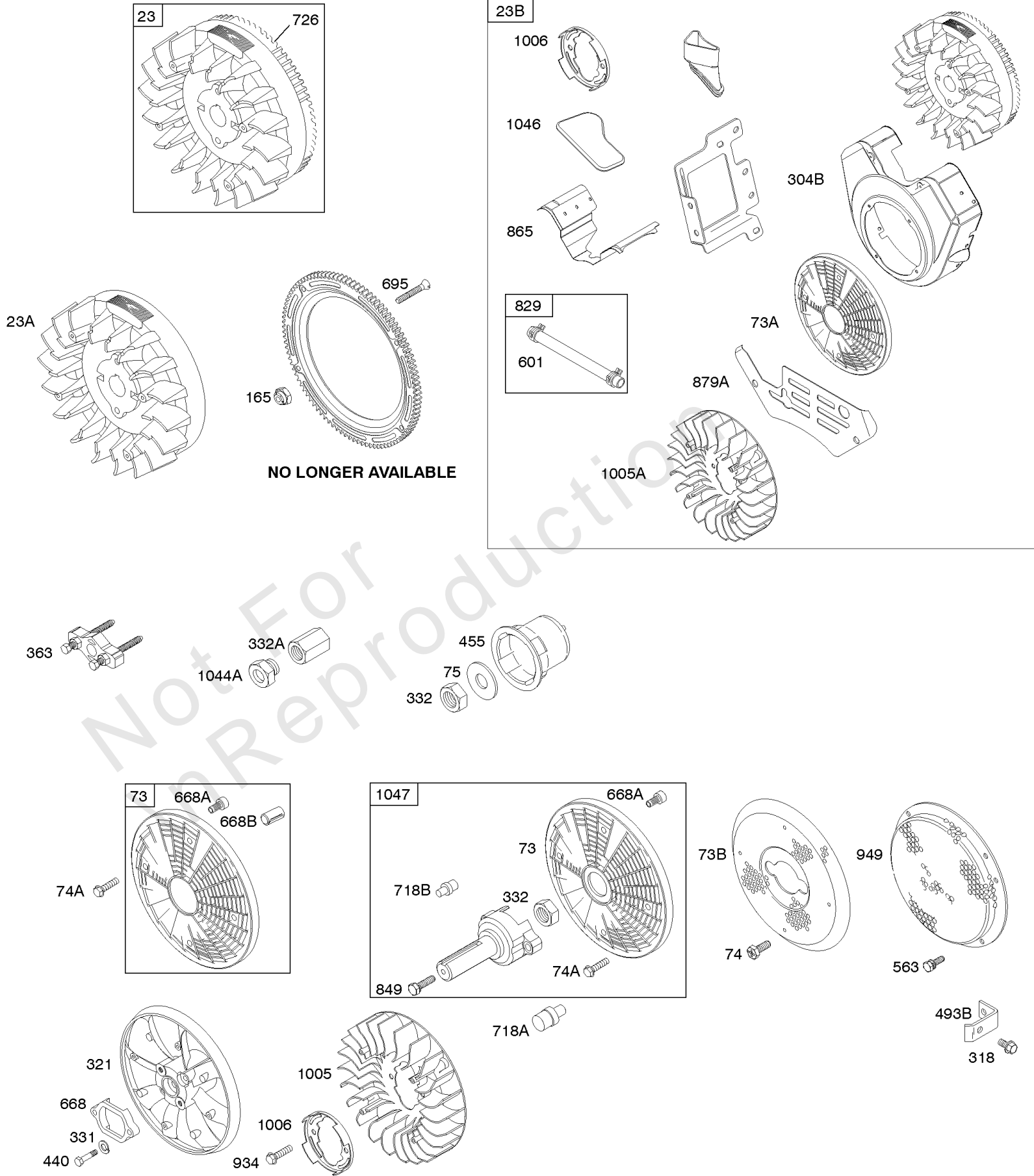
## Exhaust System

REF NO	PART NO	QTY	DESCRIPTION
728B	805704		SCREW -(Heat Shield)
728B	691514		SCREW -(Heat Shield)
819	692056		SCREW -(Muffler Bracket)
819A	690943		SCREW -(Muffler Bracket)
819D	692062		SCREW -(Muffler Bracket)
819C	807084		SCREW -(Muffler Bracket)
832	691571		GUARD, Muffler
836	691514		SCREW -(Muffler Guard)
836A	692067		SCREW -(Muffler Guard)
837	808085		SPACER -(Includes 2)
863	691513		BRACKET, Muffler -(Lo Mount)(Oil Filter Side)
863A	690756		BRACKET, Muffler -(Lo Mount)(Starter Motor Side)
863B	806759		BRACKET, Muffler
882	692074		FLANGE, Exhaust
883	691613		GASKET, Exhaust
884	690898		CLAMP, Muffler
884A	691956		CLAMP, Muffler
994	794945		ARRESTOR, Spark



## Flywheel

REF NO	PART NO	QTY	DESCRIPTION
23	808768		FLYWHEEL
23A	690922		FLYWHEEL
23A	690921		FLYWHEEL
23B	844819		FLYWHEEL -(Rewind Starter)
73	494439		SCREEN, Rotating -(8 9/32" Diameter)
73A	841440		SCREEN, Rotating
73B	690478		SCREEN, Rotating -(9 3/32 Diameter)
74	691655		SCREW -(Rotating Screen)
74A	691647		SCREW -(Rotating Screen)
75	691490		WASHER -(Flywheel)
165	693148		NUT -(Ring Gear)
304B	842742		HOUSING, Blower
318	690932		SCREW -(Mounting Bracket)
321	690379		FAN, Booster
331	691075		WASHER -(Booster Fan)
332	690887		NUT -(Flywheel)
332A	805744		NUT -(Flywheel)
363	19203		PULLER, Flywheel
440	690342		SCREW -(Booster Fan)
455	807881		CUP, Flywheel -Used Before Code Date 93081600
455	690864		CUP, Flywheel -Used After Code Date 93081500
563	691982		SCREW -(Debris Screen Guard)
601	691038		CLAMP, Hose
668	690860		SPACER
668A	691500		SPACER
668B	691215		SPACER
695	693149		SCREW -(Ring Gear)
726	-----		Gear-Ring -(Steel)(See Reference 23 for Service)
829	841999		HOSE/CLAMP ASSEMBLY
849	691088		SCREW -(Stub Shaft)
865	843768		COVER, Air Guide -(Black)
879A	806648		COVER, Carburetor/EFI
934	691058		SCREW -(Fan Retainer)
949	690475		GUARD, Debris Screen
1005	809441		FAN, Flywheel -Used After Code Date 00121200
1005	843977		FAN, Flywheel



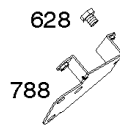
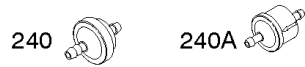
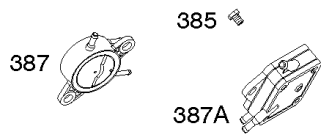
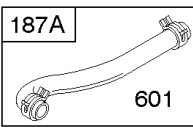
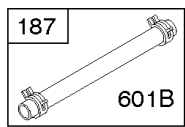
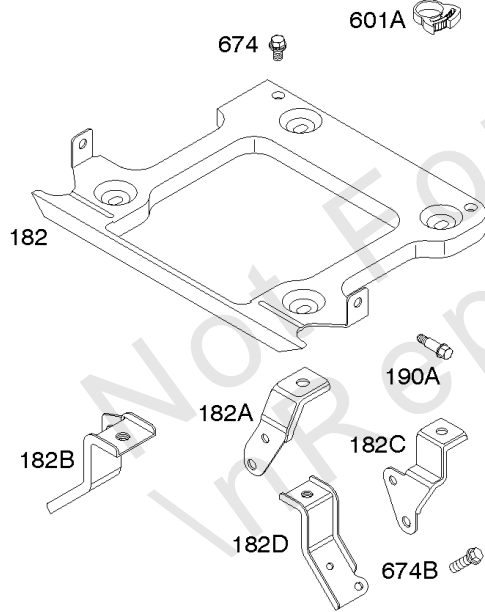
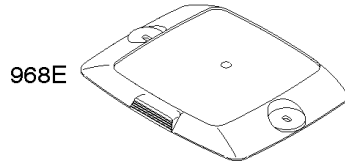
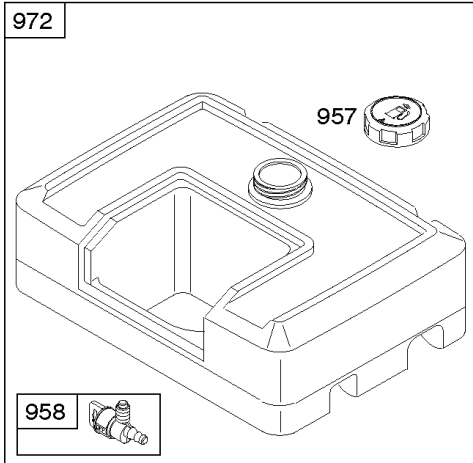
## *Flywheel*

---

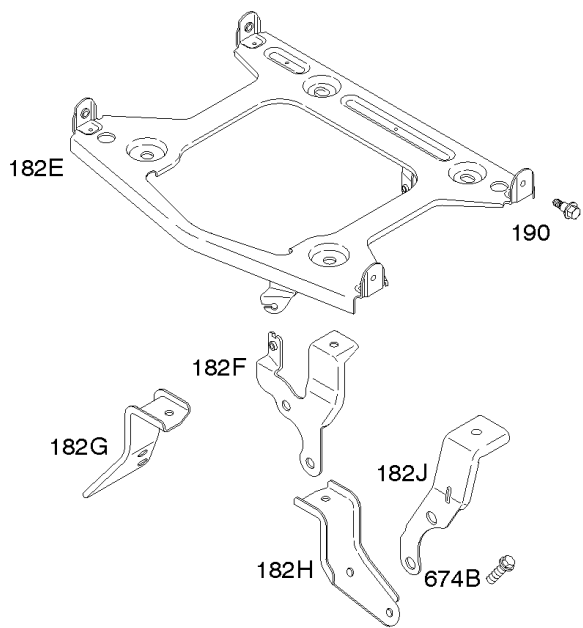
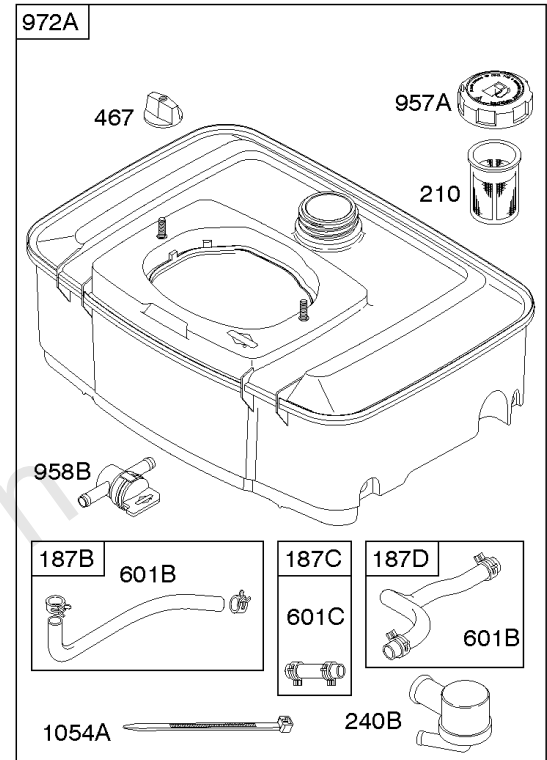
REF NO	PART NO	QTY	DESCRIPTION
1005A	841439		FAN, Flywheel
1006	690452		RETAINER, Fan
1044A	805756		SCREW -(Flywheel)
1046	692082		PLUG, Blower Housing
1047	841580		SHAFT, Stub

Not For In Reproduction

7 QUART



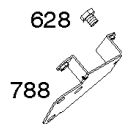
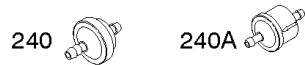
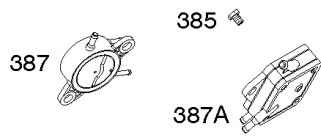
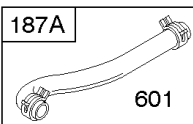
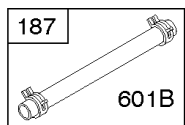
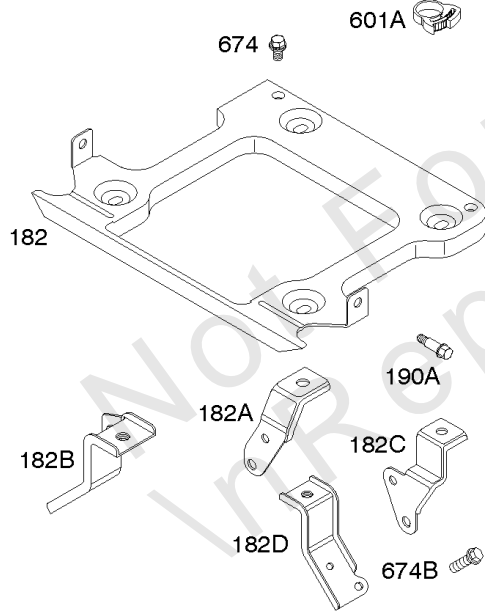
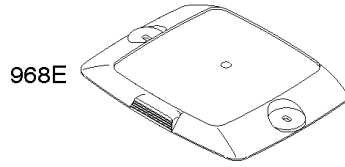
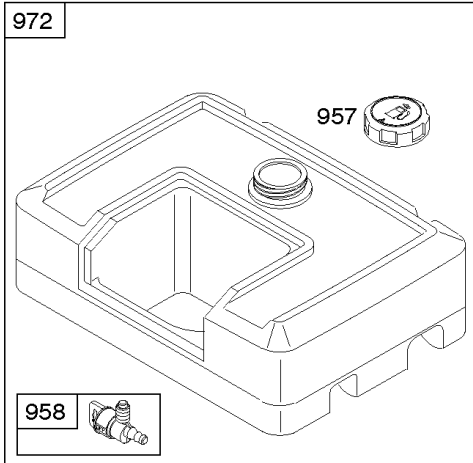
9 QUART



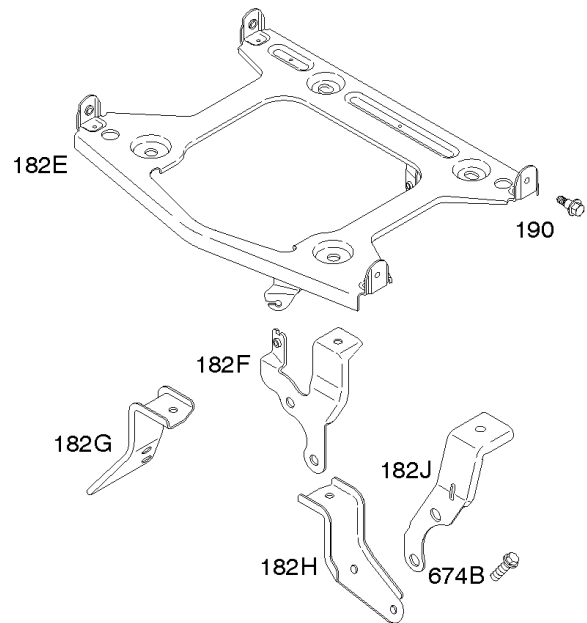
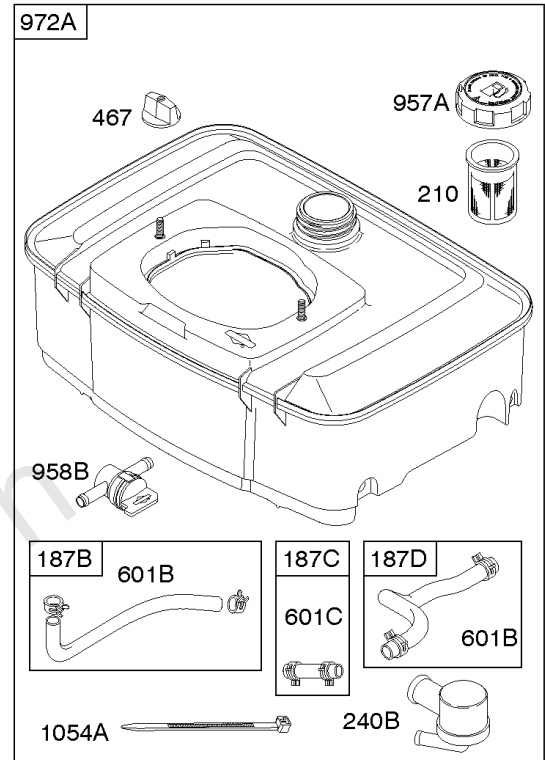
## Fuel Supply

REF NO	PART NO	QTY	DESCRIPTION
182	492317		BRACKET, Fuel Tank
182A	690778		BRACKET, Fuel Tank
182E	841601		BRACKET, Fuel Tank
182B	690779		BRACKET, Fuel Tank
182C	690780		BRACKET, Fuel Tank
182D	690781		BRACKET, Fuel Tank
182F	691520		BRACKET, Fuel Tank
182H	691524		BRACKET, Fuel Tank
182J	691525		BRACKET, Fuel Tank
182G	841600		BRACKET, Fuel Tank
187	791766		LINE, Fuel -(Cut To Required Length)
187A	791801		HOSE, Vacuum -(Molded)
187B	692107		LINE, Fuel
187C	692106		LINE, Fuel
187D	692108		LINE, Fuel
190	692199		SCREW -(Fuel Tank)
190A	94536		SCREW -(Fuel Tank)
210	691370		STRAINER, Fuel
240	394358S		FILTER, Fuel
240A	84001895		FILTER, Fuel
240B	808116S		FILTER, Fuel
385	807084		SCREW -(Fuel Pump)
387	808656		PUMP, Fuel
387A	845148		PUMP, Fuel
467	691985		KNOB, Air Cleaner Cover
527	690423		CLAMP, Tube
601	691038		CLAMP, Hose
601A	691145		CLAMP, Hose
601B	791850		CLAMP, Hose
601C	691522		CLAMP, Hose
628	806660		SCREW -(Fuel Pump Bracket)
674	692056		SCREW -(Fuel Tank Bracket) (M8 X 14)
674B	692062		SCREW -(Fuel Tank Bracket) (M8X18mm)
788	691559		BRACKET, Fuel Pump
957	491367S		CAP, Fuel Tank -(Plastic)
957A	799719		CAP, Fuel Tank -(Plastic)
958	698182		VALVE, Fuel Shut Off -(Plastic)
958B	692008		VALVE, Fuel Shut Off -(Plastic)
968E	691334		COVER, Air Cleaner
972	492369		TANK, Fuel -(Plastic) (7 Quart)
972A	845137		TANK, Fuel -(Plastic) (7 Quart)

7 QUART



9 QUART





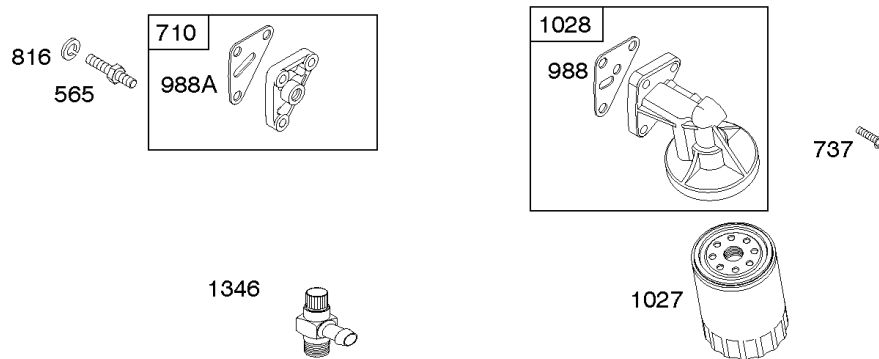
## *Fuel Supply*

---

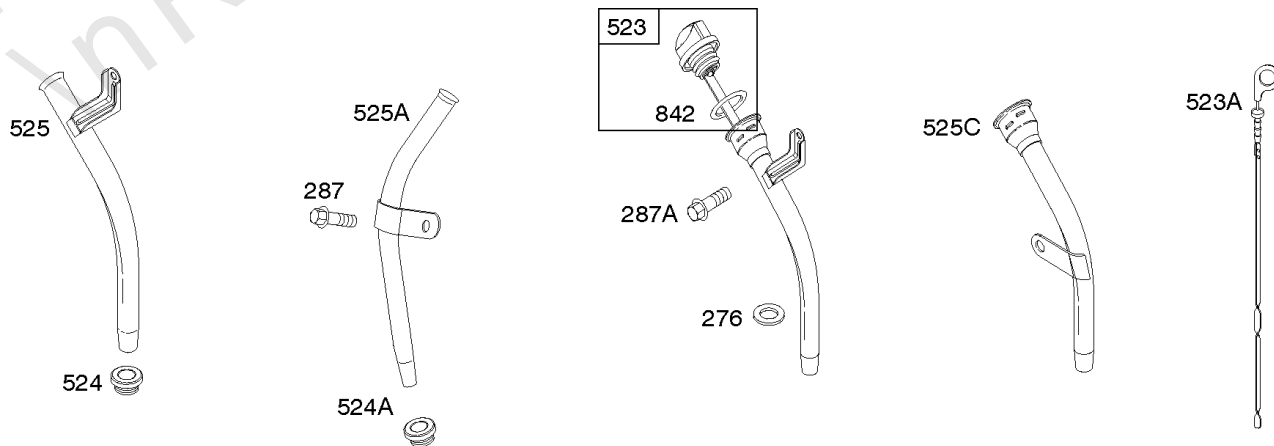
REF NO	PART NO	QTY	DESCRIPTION
1054A	280275		TIE, Cable

---

Not For In Reproduction



Not For  
In Reproduction

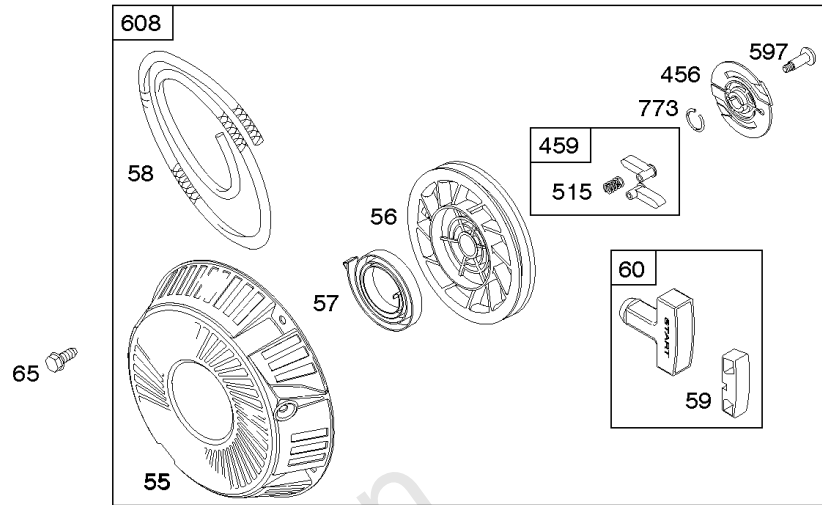
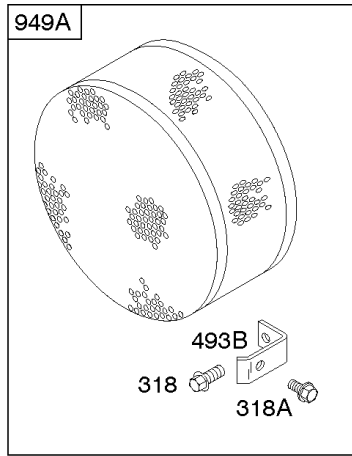


## Lubrication

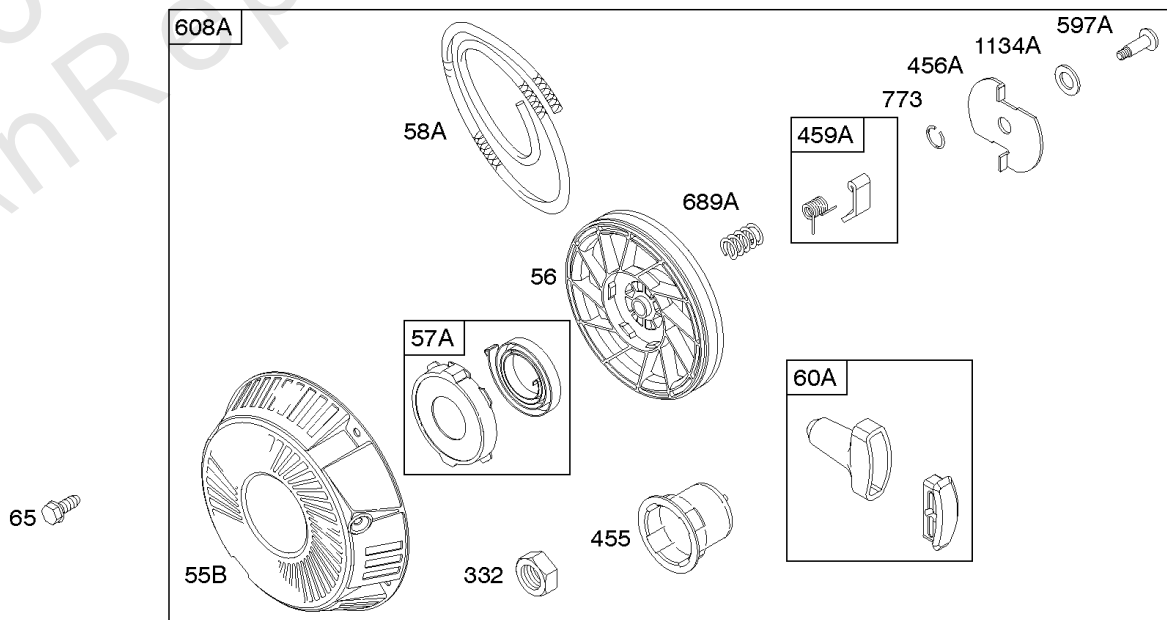
REF NO	PART NO	QTY	DESCRIPTION
276	690704		WASHER, Sealing -(Governor Crank)
287	692062		SCREW -(Dipstick Tube)
523	692100		DIPSTICK -Used Before Code Date 98060100
523A	693175		DIPSTICK -Used After Code Date 98053100
524	693172		SEAL, O-Ring -(Dipstick Tube) -Used After Code Date 98053100
524A	281370S		SEAL, O-Ring -(Dipstick Tube) -Used Before Code Date 98060100
525	693174		TUBE, Dipstick -(Standard) -Used After Code Date 98053100
525C	690897		TUBE, Dipstick -Used Before Code Date 98060100
565	690682		STUD -(Oil Filter Adapter)
710	807689		COVER, Oil Filter
737	690679		SCREW -(Oil Filter Adapter)
816	690706		WASHER -(Oil Filter Adapter)
842	690611		SEAL, O-Ring -(Dipstick Tube)
988	692063		GASKET, Oil Adapter
988A	690687		GASKET, Oil Adapter -(Used With Reference 710 Only)
1027	491056		FILTER, Oil -(3 1/4) -Used Before Code Date 95020600
1027	492932S		FILTER, Oil -Used After Code Date 95020500
1028	808033		ADAPTER, Oil Filter -(Horizontal Mounted Oil Filter)
1028	808235		ADAPTER, Oil Filter

## Replacement Engine

REF NO	PART NO	QTY	DESCRIPTION
	3564473078	1	Replacement Engine
	496240	1	Replacement Short Block
	805451	1	SPRING, Governed Idle -Add Part
	805456	1	SPRING, Governor -Add Part
	805450	1	SPRING, Governed Idle -Remove Part
	805455	1	SPRING, Governor -Remove Part
-----			Top No-Load Speed: 3150 -Trim: ALL
-----			Service Note: Transfer the Muffler and/or Spark Arrester Assembly from the original engine if suitable for additional service, or add new parts as required. In some cases it maybe necessary to transfer the Oil Filter Adapter to the replacement engine.
-----			Service Note: For all Go-Karts use only a Model 136200 series engine as a replacement, regardless of the original Model.
-----			Service Note: Transfer Blower Housing, Flywheel and Booster Fan Group to replacement engine. Transfer Electric Starter if original Flywheel is equipped with an aluminum ring gear .



Not For In-Production



## Rewind Starter

REF NO	PART NO	QTY	DESCRIPTION
55	691568		HOUSING, Rewind Starter
55B	492193		HOUSING, Rewind Starter
56	692085		PULLEY, Rope Starter
57	692086		SPRING, Rewind Starter
57A	492194		SPRING, Rewind Starter
58	66574		ROPE, Starter -(Cut To Required Length)
58A	695002		ROPE, Starter -(Cut To Required Length)
59	805957		INSERT, Grip
60	808167		GRIP, Starter Rope
60A	490652		HANDLE, Starter Rope
65	691982		SCREW -(Rewind Starter)
318	690932		SCREW -(Mounting Bracket)
318A	691982		SCREW -(Mounting Bracket)
332	690887		NUT -(Flywheel)
455	807881		CUP, Flywheel -Used Before Code Date 93081600
455	690864		CUP, Flywheel -Used After Code Date 93081500
456	691529		PLATE, Pawl Friction
456A	224228		PLATE, Pawl Friction
459	808166		PAWL, Ratchet
459A	492431		PAWL, Ratchet
515	691528		SPRING, Pawl
597	690876		SCREW -(Pawl Friction Plate)
597A	94463		SCREW -(Pawl Friction Plate)
608	692102		STARTER, Rewind -Used After Code Date 93081500
608A	808153		STARTER, Rewind -Used Before Code Date 93081600
689A	262564		SPRING, Friction -(Rewind Starter)
773	690875		RETAINER
949A	808226		GUARD, Debris Screen
1134A	94464		WASHER -(Pawl Friction Plate) (Steel)

